



# Regency GF900L Gas Fireplace



## Owners & Installation Manual

MODELS: GF900L-NG  
GF900L-LPG  
GF900L-ULPG



GF900L Video

### LISTINGS AND CODE APPROVALS

These gas appliances have been tested in accordance with AS4553 / NZS5262 / NZS5266 and have been certified by the Australian Gas Association for installation and operation as described in these Installation and Operating Instructions.

**Your unit should be serviced annually by an authorised service person.**

[www.regency-fire.com.au](http://www.regency-fire.com.au)

### WARNING:

If the information in these instructions are not followed exactly, a fire or explosion may result causing property damage, personal injury or loss of life.

### FOR YOUR SAFETY

Do not store or use gasoline or other flammable vapors and liquids in the vicinity of this or any other appliance.

Installation and service must be performed by a qualified installer, service agency or the gas supplier.

### FOR YOUR SAFETY

What to do if you smell gas:

- Do not try to light any appliance
- Do not touch any electrical switch: do not use any phone in your building.
- Immediately call your gas supplier from a neighbour's phone. Follow the gas supplier's instructions.
- If you cannot reach your gas supplier, call the fire department.

*Installer:* Please complete the details on the back cover and leave this manual with the homeowner.

*Homeowner:* Please keep these instructions for future reference.

---

**To the New Owner:**

**Congratulations!**

You are the owner of a state-of-the-art Gas Fireplace by REGENCY®. The GF900 has been designed to provide you with all the warmth and charm of a wood fireplace at the flick of a switch. The model GF900 has been approved by AGA for both safety and efficiency. As it also bears our own mark, it promises to provide you with economy, comfort and security for many trouble free years to follow. Please take a moment now to acquaint yourself with these instructions and the many features of your Regency® Fireplace.



*GF900L Video*

## DATA BADGE

Copy of data badge .....	4
--------------------------	---

## DIMENSIONS

Unit Dimensions .....	5
-----------------------	---

## INSTALLATION

Important Message .....	6
Information.....	6
Installation Checklist.....	7
Locating Your Gas Fireplace .....	7
Clearances .....	8
Mantel Clearances.....	9
Mantel Leg Clearances.....	9
Unit Assembly Prior To Installation .....	10
Nailing Strips.....	10
Installation Access panel .....	10
Framing Dimensions.....	11
Framing & Finishing.....	12
Combustible Requirements .....	13
Exterior Flue Termination Locations .....	14
4" x 6-5/8" (102mm x 175mm) Rigid Pipe .....	15
Cross Reference Chart only .....	15
Vent Restrictor Position .....	17
Venting Introduction.....	18
Venting Arrangement for Horizontal Terminations .....	18
Horizontal Terminations .....	19
Flex Vent 4" x 6-7/8" (102mm x 175mm).....	19
horizontal terminations .....	20
Rigid Pipe 4" x 6-5/8" (102mm x 175mm) .....	20
Horizontal Terminations .....	21
Rigid Pipe 4" x 6-5/8" (102mm x 175mm) .....	21
vertical terminations.....	22
Rigid Pipe 4" x 6-5/8" (102mm x 175mm) .....	22
Venting Arrangement for Vertical Terminations.....	23
NOTE: For ULPG vent restrictor - .....	23
Set to "0" - 75mm open. ....	23
Unit Installation with Horizontal Termination .....	24
4" x 6-5/8" (102mm x 175mm) venting .....	24
Unit Installation with Horizontal Termination .....	25
Unit installation with Vertical Termination .....	26
4" x 6-5/8" (102mm x 175mm) venting .....	26
High Elevation .....	27
Gas Line Installation .....	27
Pilot Adjustment.....	27
Gas Pipe Pressure Testing .....	27

845 S.I.T. Valve Description.....	27
Aeration Adjustment .....	27
Wiring Diagram.....	28
Log Set Installation .....	32
Front trim removal / Installation .....	34
Inner panel removal / Installation.....	34
Screen & inner Door frame Installation.....	35
Faceplate installation.....	36

## OPERATING INSTRUCTIONS

Operating Instructions .....	37
Lighting Instructions.....	37
Shutdown Instructions .....	37
First Fire .....	37
Remote Control .....	37
Summary Of Controls .....	37
Fan Operation.....	37
Copy of Lighting Plate Instructions .....	38
Normal Operating Sounds Of .....	38
Gas Appliances.....	38
Resetting the unit.....	38
Fan Service .....	39

## MAINTENANCE

Maintenance Instructions.....	40
General Vent Maintenance.....	40
Glass Gasket.....	40
Glass Door.....	40
Glass Replacement .....	40
Glass door Installation .....	42
Valve Tray Replacement.....	43

## PARTS LIST

Main Assembly .....	44
Accessories .....	46

## WARRANTY

Warranty .....	47
----------------	----

# SAFETY LABEL

This is a copy of the data badge that accompanies each GF900 Direct Vent Gas Fireplace. We have printed a copy of the contents here for your review.


**NOTE:** Regency® units are constantly being improved. Check the badge on the unit and if there is a difference, the badge on the unit is the correct one.

## COPY OF DATA BADGE

Regency Gas Fireplace			
Model	<input type="radio"/>	<input type="radio"/>	<input type="radio"/>
Gas Type	NG	LPG	ULPG
Model	<b>GF900L-NG</b>	<b>GF900L-LPG</b>	<b>GF900L-ULPG</b>
Gas Consumption	35 mj.	28 mj.	28 mj.
Manifold Pressure	0.87 kPa	2.49kPa	2.49 kPa
Injector Size	1 x #35 2.80mm	1 x#53 1.50mm	1 x #53 1.50mm
Approval No. AGA 7908 G Code AS4553 / NZS5262 / NZS5266			
Electrical: 240V 50 Hz		Serial Number <b>405</b>	

919-117a

Distributed by:  
Western Australia:  
**Air Group Australia**  
28 Division St  
Welshpool, WA 6106  
Eastern Australia  
**Fireplace Products**  
Australia Pty. Ltd.  
1 Conquest Way  
Hallam, VIC 3803  
To be installed by an authorised person in accordance with installation instructions provided with the appliance.



**DO NOT** OPERATE THIS APPLIANCE BEFORE READING THE INSTRUCTIONS BOOKLET.

**DO NOT** PLACE ARTICLES ON OR AGAINST THIS APPLIANCE

**DO NOT** STORE CHEMICALS OR FLAMMABLE MATERIALS NEAR THIS APPLIANCE.

**DO NOT** SPRAY AEROSOLS IN THE VICINITY OF THIS APPLIANCE WHILE IN OPERATION.

**DO NOT** OPERATE WITH PANELS, COVERS OR GUARDS REMOVED FROM THIS APPLIANCE.

**DO NOT** ENCLOSE THIS APPLIANCE.

**DO NOT** DO NOT MODIFY THIS APPLIANCE.

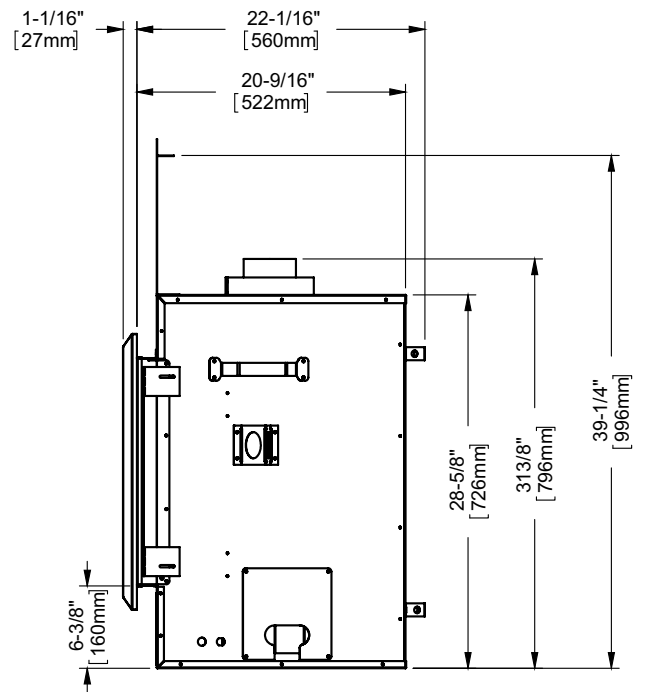
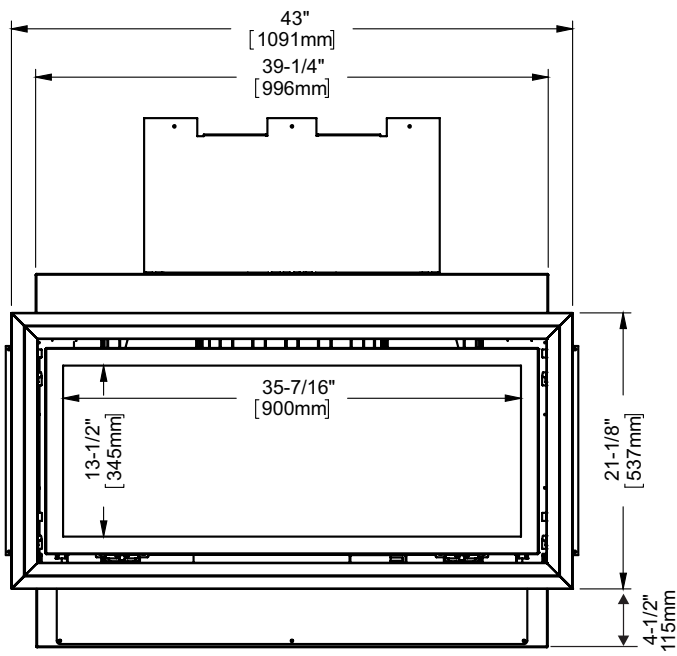
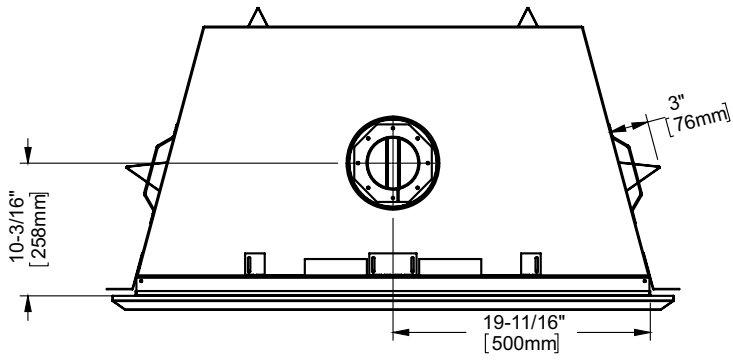
908-602a

**THE GUARD IS FITTED TO THIS APPLIANCE TO REDUCE THE RISK OR FIRE OR INJURY FROM BURNS AND NO PART OF IT SHOULD BE PERMANENTLY REMOVED.**

**FOR PROTECTION OF YOUNG CHILDREN OR THE INFIRM, A SECONDARY GUARD IS REQUIRED.**

(Australia Only)

**UNIT DIMENSIONS**



# INSTALLATION

## IMPORTANT MESSAGE SAVE THESE INSTRUCTIONS

The GF900™ Direct Vent Fireplace must be installed in accordance with these instructions. Carefully read all the instructions in this manual first. Consult the "authority having jurisdiction" to determine the need for a permit prior to starting the installation. It is the responsibility of the installer to ensure this fireplace is installed in compliance with manufacturers instructions and all applicable codes and complies with a S5601 / AG601 clause 5.12, 13.2 and 5.12, 13.5.

**INSTALLATION AND REPAIR SHOULD BE DONE BY AN AUTHORIZED SERVICE PERSON. THE APPLIANCE SHOULD BE INSPECTED BEFORE USE AND AT LEAST ANNUALLY BY A PROFESSIONAL SERVICE PERSON. MORE FREQUENT CLEANING MAY BE REQUIRED DUE TO EXCESSIVE LINT FROM CARPETING, BEDDING MATERIAL, ETC. IT IS IMPERATIVE THAT CONTROL COMPARTMENTS, BURNERS AND CIRCULATING AIR PASSAGEWAYS OF THE APPLIANCE BE KEPT CLEAN.**

**DUE TO HIGH TEMPERATURES, THE APPLIANCE SHOULD BE LOCATED OUT OF TRAFFIC AND AWAY FROM FURNITURE AND DRAPERIES.**

**WARNING: FAILURE TO INSTALL THIS APPLIANCE CORRECTLY WILL VOID YOUR WARRANTY AND MAY CAUSE A SERIOUS HOUSE FIRE.**

**CHILDREN AND ADULTS SHOULD BE ALERTED TO THE HAZARDS OF HIGH SURFACE TEMPERATURES, ESPECIALLY THE FIREPLACE GLASS, AND SHOULD STAY AWAY TO AVOID BURNS OR CLOTHING IGNITION.**



**YOUNG CHILDREN SHOULD BE CAREFULLY SUPERVISED WHEN THEY ARE IN THE SAME AREA AS THE APPLIANCE. TODDLERS, YOUNG CHILDREN AND OTHERS MAY BE SUSCEPTIBLE TO ACCIDENTAL CONTACT BURNS. A PHYSICAL BARRIERS IS RECOMMENDED IF THERE ARE AT RISK INDIVIDUAL IN THE HOUSE. TO RESTRICT ACCESS TO A FIREPLACE OR STOVE, INSTALL AN ADJUSTABLE SAFETY GATE TO KEEP TODDLERS, YOUNG CHILDREN AND OTHER AT RISK INDIVIDUALS OUT OF THE ROOM AND AWAY FROM HOT SURFACES.**

**CLOTHING OR OTHER FLAMMABLE MATERIAL SHOULD NOT BE PLACED ON OR NEAR THE APPLIANCE.**

## GENERAL SAFETY INFORMATION

- 1) The appliance installation must conform with local codes or, in the absence of local codes, with the current Installation and Building Codes.
- 2) The appliance when installed, must be electrically grounded in accordance with local codes.
- 3) See general construction and assembly instructions. The appliance and vent should be enclosed.
- 4) This appliance must be connected to the specified vent and termination cap to the outside of the building envelope. Never vent to another room or inside a building. Make sure that the vent is fitted as per Venting instructions.
- 5) Inspect the venting system annually for blockage and any signs of deterioration.
- 6) Venting terminals shall not be recessed into a wall or siding.
- 7) Any safety glass removed for servicing must be replaced prior to operating the appliance.
- 8) To prevent injury, do not allow anyone who is unfamiliar with the operation to use the fireplace.
- 9) Wear gloves and safety glasses for protection while doing required maintenance.
- 10) Be aware of electrical wiring locations in walls and ceilings when cutting holes for termination.

- 11) Under no circumstances should this appliance be modified. Parts that have to be removed for servicing should be replaced prior to operating this appliance.
- 12) Installation and any repairs to this appliance should be done by an authorized service person. A professional service person should be called to inspect this appliance annually. Make it a practice to have all of your gas appliances checked annually.
- 13) Do not slam shut or strike the glass door.
- 14) Under no circumstances should any solid fuels (wood, paper, cardboard, coal, etc.) be used in this appliance.
- 15) The appliance area must be kept clear and free of combustible materials, (gases and other flammable vapours and liquids).

**"THIS UNIT MUST ALWAYS  
TERMINATE / VENT  
DIRECTLY TO THE OUTDOORS."**

## INSTALLATION CHECKLIST

- 1) Locate appliance
  - a) Room location (Refer to "Locating Your Gas fireplace" section)
  - b) Clearances to Combustibles (Refer to "Clearances" section)
  - c) Mantle Clearances (Refer to "Mantel Clearances" section)
  - d) Framing & Finishing Requirements (Refer to "Framing & Finishing" section)
  - e) Venting Requirements (Refer to "Venting" section)
- 2) Assemble the standoffs and nailing strips (Refer to "Unit Assembly Prior to Installation").
- 3) Slide unit into place.
- 4) Install vent (Refer to "Venting Arrangement" sections).
- 5) Make gas connections (Refer to "Gas Line Installation section").
- 6) Test the pilot (Refer to "Pilot Adjustment" section).
- 7) Test Gas Pressure (Refer to "Gas Pipe Pressure Testing" section).
- 8) Install standard and optional features. Refer to the following sections:
  - a) Log Install
  - b) Faceplate / Door Frame Overlay
  - c) Remote Control or Wall Thermostat
- 9) Final check.

Before leaving this unit with the customer, the installer must ensure that the appliance is firing correctly and **operation fully explained to customer.**

### This includes:

- 1) Clocking the appliance to ensure the correct firing rate (rate noted on label) after burning appliance for 15 minutes.
- 2) If required, adjusting the primary air to ensure that the flame does not carbon. First allow the unit to burn for 15-20 min. to stabilize.

**CAUTION: Any alteration to the product that causes sooting or carboning that results in damage is not the responsibility of the manufacturer.**

- 4) The GF900 Direct Vent Gas Fireplace is approved for alcove installations, see "Clearances" section for details.
- 5) We recommend that you plan your installation on paper using exact measurements for clearances and floor protection before actually installing this appliance. Have an authorized inspector, dealer, or installer review your plans before installation.

**Note: For vent terminations refer to "Exterior Vent Termination Locations" section.**

## LOCATING YOUR GAS FIREPLACE

- 1) When selecting a location for your fireplace, ensure that the clearances are met.
- 2) The appliance must be installed on a flat, solid, continuous surface. For example a wood, metal or concrete floor or in a raised (on the wall) application. The appliance must be installed on a metal or wood panel extending the full width and depth of the appliance.
- 3) The GF900 Direct Vent Gas Fireplace can be installed in a recessed position or framed out into the room as in A, B, C and D. See Diagram 1.

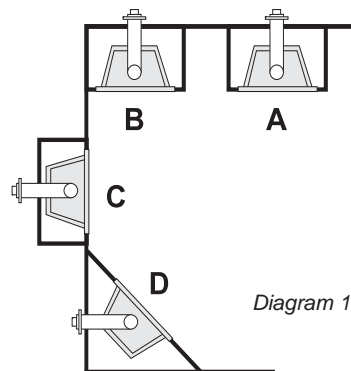


Diagram 1

- A) Flat on Wall
- B) Flat on Wall Corner
- C) Recessed into Wall/Alcove
- D) Corner



## CLEARANCES

The clearances listed below are Minimum distances unless otherwise stated:

A major cause of chimney related fires is failure to maintain required clearances (air space) to combustible materials. It is of the greatest importance that this fireplace and vent system be installed only in accordance with these instructions.

### Caution Requirements

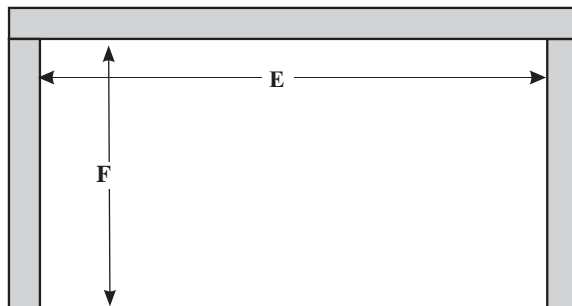
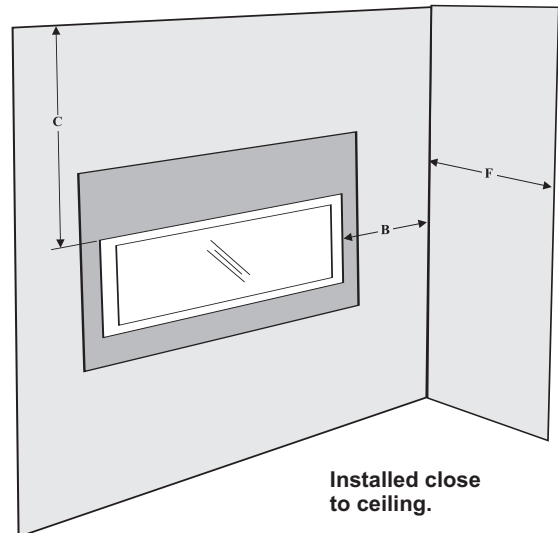
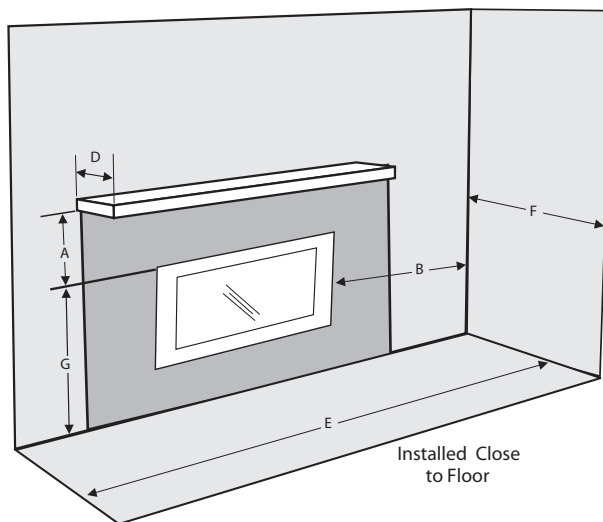
The top, back and sides of the fireplace are defined by standoffs. The metal ends of the standoff may **NOT** be recessed into combustible construction.

### WARNING

**Fire hazard is an extreme risk** if these clearances (air space) to combustible materials are not adhered to. It is of greatest importance that this fireplace and vent system be installed only in accordance with these instructions.

Clearance:	Dimension	Measured From:
<b>A: Mantel Height (min.)</b>	17-1/4" (438mm)	Top of Fireplace Opening
<b>B: Sidewall (on one side)</b>	5-3/4" (146mm)	Side of Fireplace Opening
<b>C: Ceiling (room and/or alcove)</b>	39-1/2" (1003mm)	Top of Fireplace Opening
<b>D: Mantel Depth (max.)</b>	12" (305mm)	26-1/4" Above Fireplace Opening
<b>E: Alcove Width</b>	58-1/4" (1480mm)	Sidewall to Sidewall (Minimum)
<b>F: Alcove Depth</b>	31-7/16" (787mm)	Front to Back Wall (Maximum)
<b>G: From Floor</b>	24" (610mm)	Top of Fireplace Opening
<b>Note:</b>	0"	No hearth required

Flue Clearances to Combustibles	
Horizontal - Top	3" (76mm)
Horizontal - Side	2" (51mm)
Horizontal - Bottom	2" (51mm)
Vertical	2" (51mm)
Passing through wall/floor/ceiling - when firestop is used.	1-1/2" (38mm)

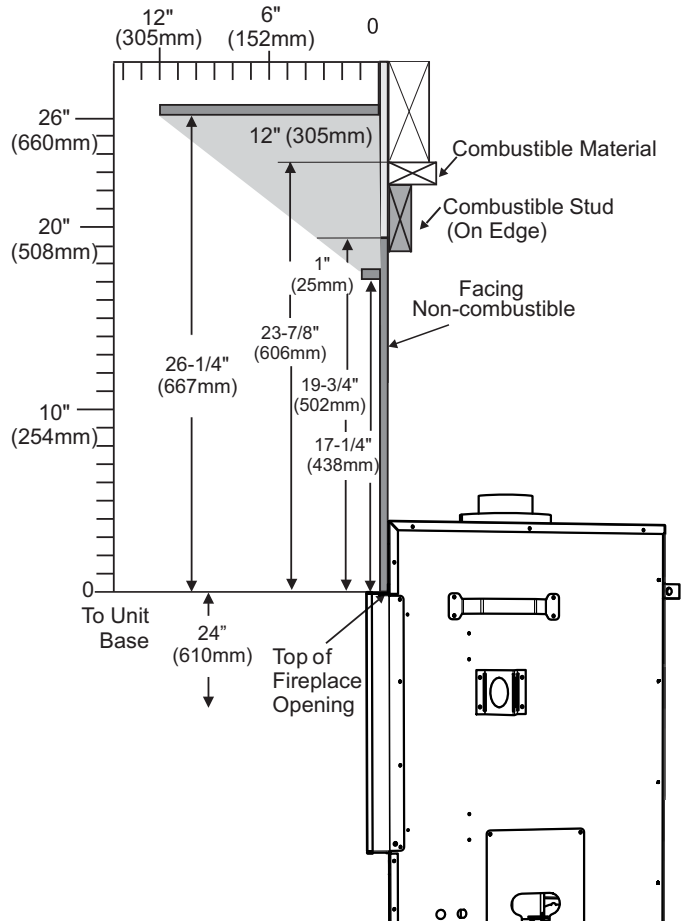




## MANTEL CLEARANCES

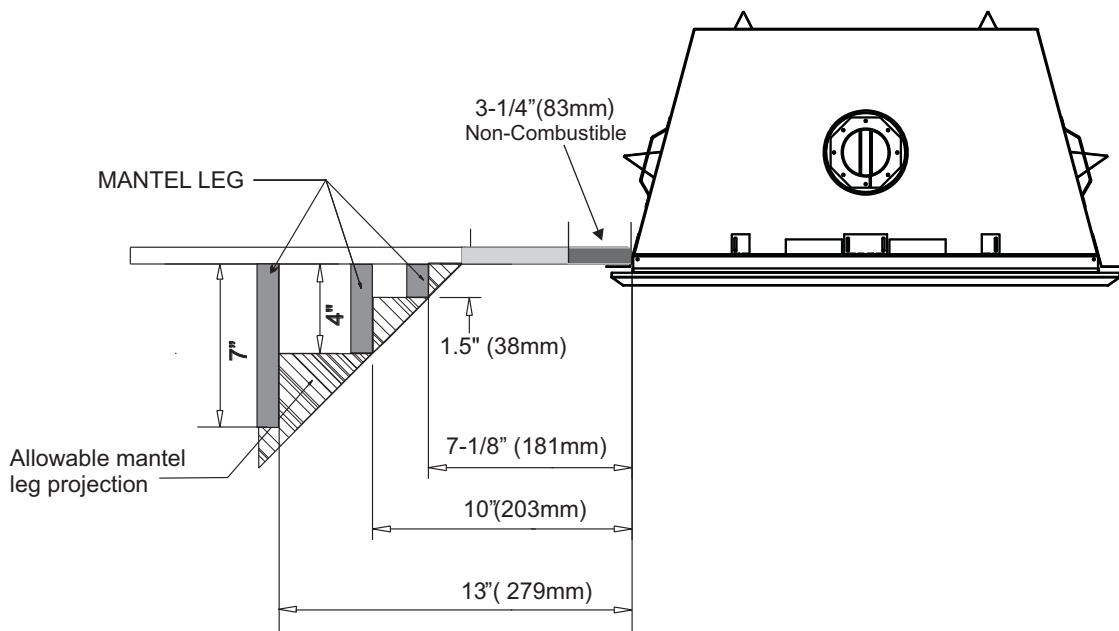
Due to the extreme heat this fireplace emits, the mantel clearances are critical. Combustible mantel clearances from top of front facing are shown in the diagram on the right.

**Note:** Ensure the paint that is used on the mantel and the facing is "high quality" or the paint may discolour.



## MANTEL LEG CLEARANCES

Combustible mantel leg clearances as per diagram:



# INSTALLATION

## UNIT ASSEMBLY PRIOR TO INSTALLATION

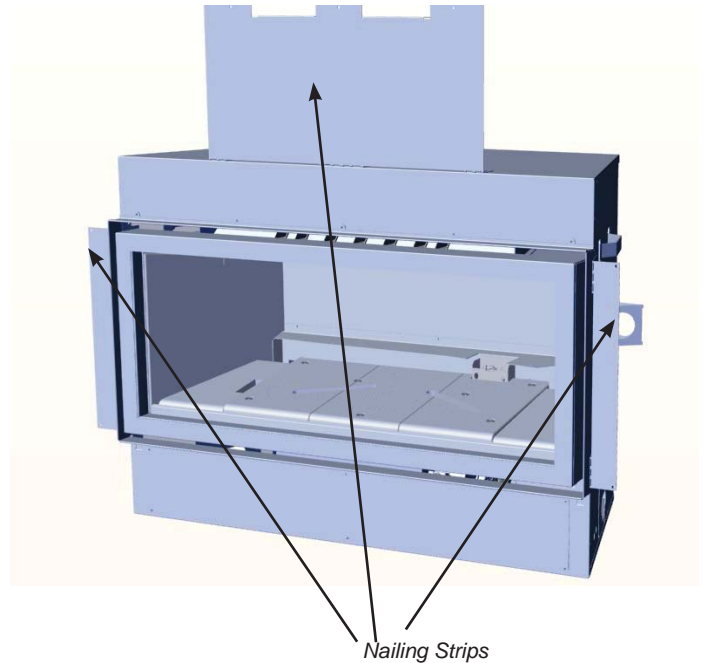
The nailing Strips must be correctly positioned and attached before unit is slid into position.

### NAILING STRIPS

The nailing strips come attached to the unit. There is 1 plate on each side, 1 on the top. The top and side nailing strips are secured to the framing.

#### IMPORTANT NOTE

Framing depth measurement is noted with the nailing strips set as far forward on the firebox as possible. The nailing strips can be adjusted back up to 1-1/2" to allow for varying thicknesses in non-combustible material & wall finishes.

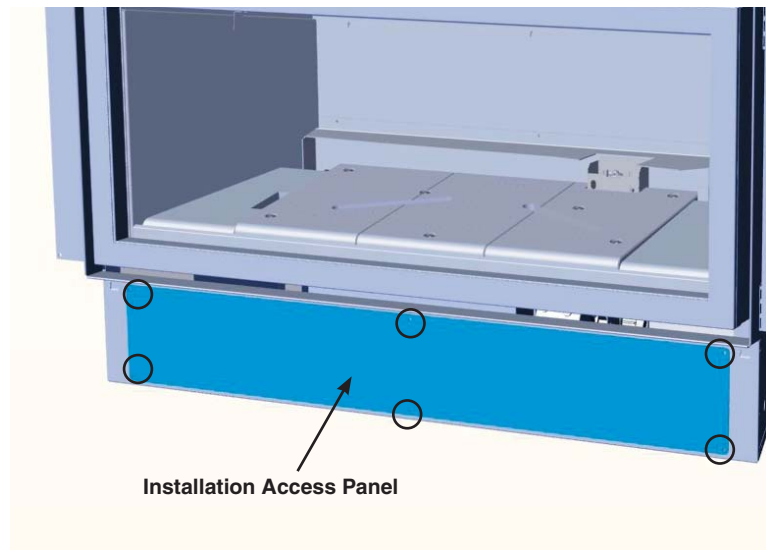


## INSTALLATION ACCESS PANEL

The unit is equipped with a removable access panel for pre-finish installation of optional components - this panel is located on the lower front face.

- 1) Remove 6 screws to remove access panel.
- 2) Easier access to gas connection with panel removed.
- 3) Install any optional components with access panel removed.
- 4) Reinstall access panel with 6 screws

**Note:** Access panel is no longer usable once facing material installed.

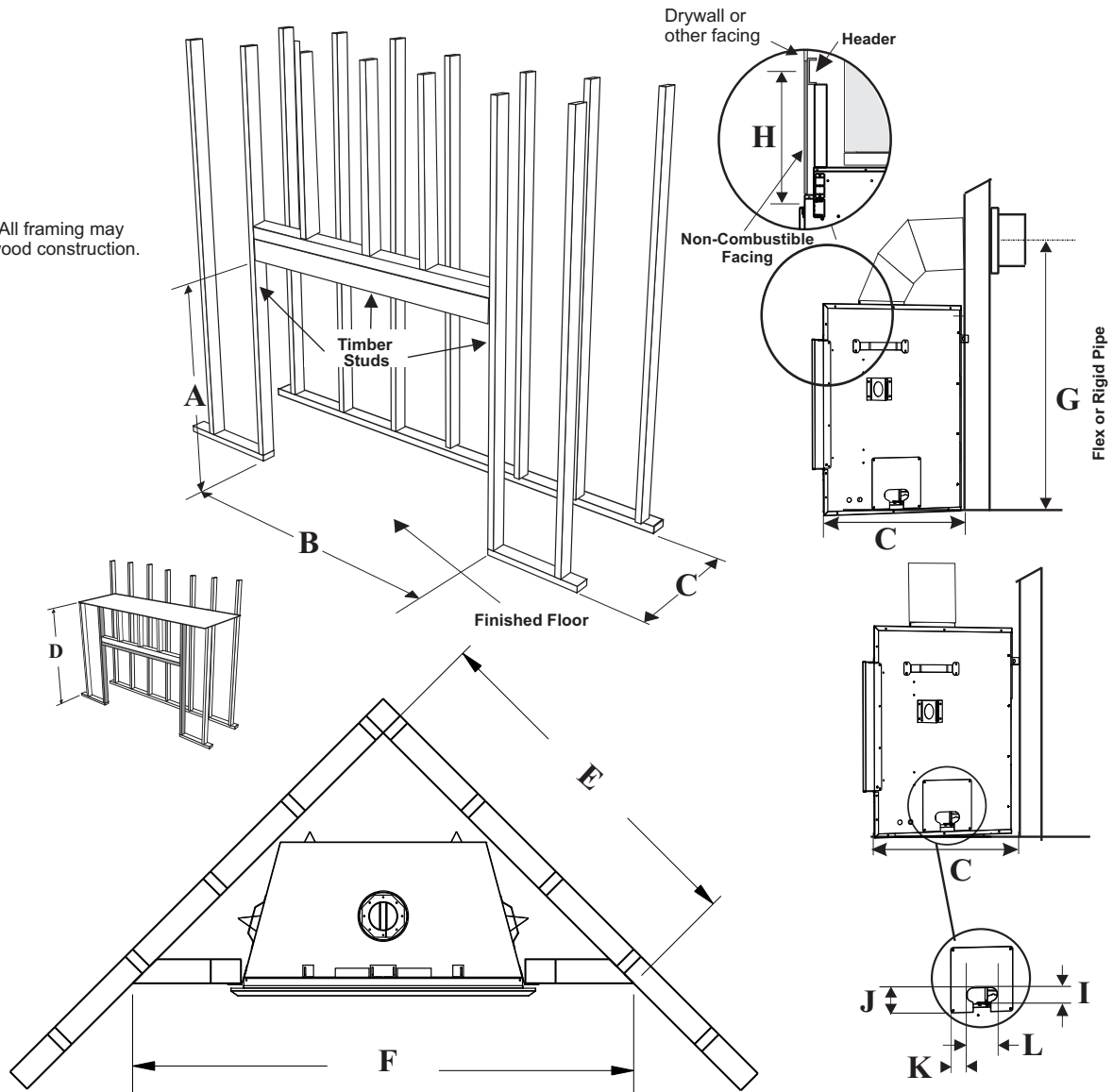


## FRAMING DIMENSIONS

Framing Dimensions	Description	GF900
A	Framing Height	42-7/8" (1089mm)
B	Framing Width	44-3/8" (1127mm)
C*	Framing Depth	21-3/4" (552mm)
D	Minimum Height to Combustibles	45-5/16" (1151mm)
E	Corner Wall Depth	50-1/18" (1273mm)
F	Corner Facing Wall Width	70-7/8" (1800mm)
G	Vent Centerline Height	39" (991mm)
H	Non-combustible facing height	19" (483mm)
I	Gas Connection Opening Height	1-1/2" (38mm)
J	Gas Connection Height	2-5/8" (67mm)
K	Gas Connection Inset	1-3/4" (44mm)
L	Gas Connection Opening Width	3-1/2" (89mm)

\* Framing depth measurement is noted with the nailing strips set as far forward on the firebox as possible. The nailing strips can be adjusted back up to 1" to allow for varying thicknesses in non-combustible material & wall finishes.

Note: All framing may be of wood construction.



## FRAMING & FINISHING

- 1) Frame in the enclosure for the unit with framing material.

**IMPORTANT: The framed opening must be of non-combustible material.**

**Note: When constructing the framed opening, please ensure there is access to install the gas lines when the unit is installed.**

- 2) For exterior walls, insulate the enclosure to the same degree as the rest of the house, apply vapour barrier and drywall, as per local installation codes. **(Do not insulate the fireplace itself.)**

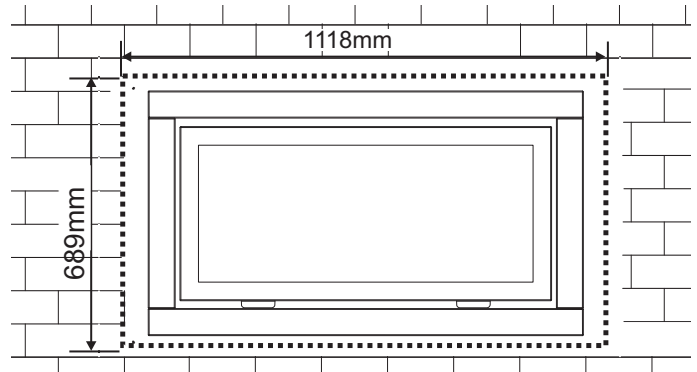
**WARNING: Failure to insulate and add vapor barriers to the inside of the exterior wall will result in operational and performance problems including, but not limited to: excessive condensation on glass doors, poor flame package, carbon, blue flames etc. These are not product related issues.**

- 3) The unit does not have to be completely enclosed in a chase. You must maintain clearances from the vent to combustible materials: See "Clearances" section. Combustible materials can be laid against the side and back standoffs and the stove base.

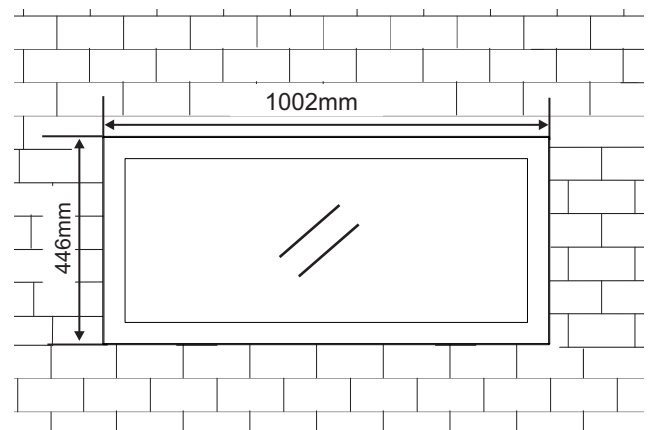
- 4) Non-combustible material (ie. tile, slate, etc) may be brought up to and overlap the unit (top and bottom) ensuring that the maximum thickness does not go beyond the 1-1/2" as shown in the diagram below. The faceplate will not be able to be mounted if finished material is beyond 1-1/2".

- 5) If material such as brick, stone, etc extends past the faceplate depth (1-1/2"), when finishing around the faceplate, the minimum opening dimensions noted below must be adhered to ensuring for the removal of the faceplate and for the safe operation of this appliance.

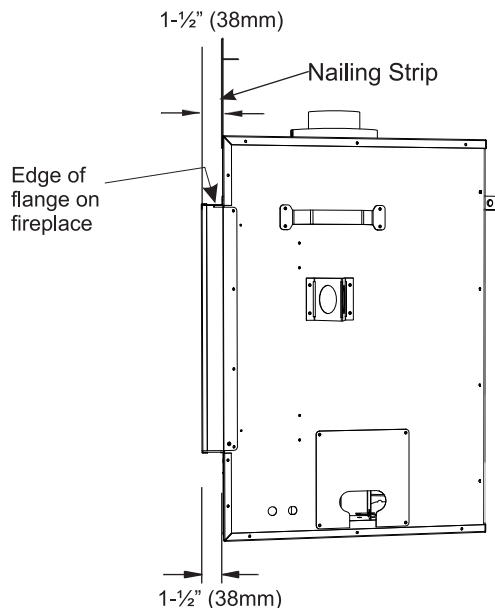
**NOTE: Spacing of 1" (25mm) around the completed surround must be adhered to.**



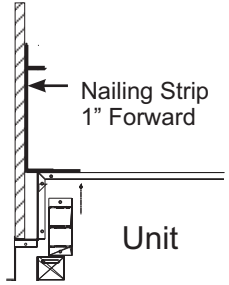
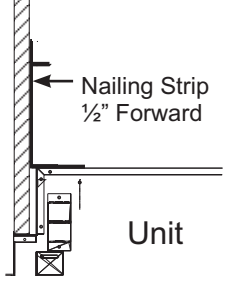
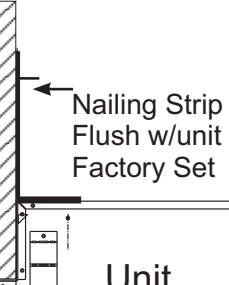
Unit shown with inner and outer door frame



Unit shown with inner door frame only



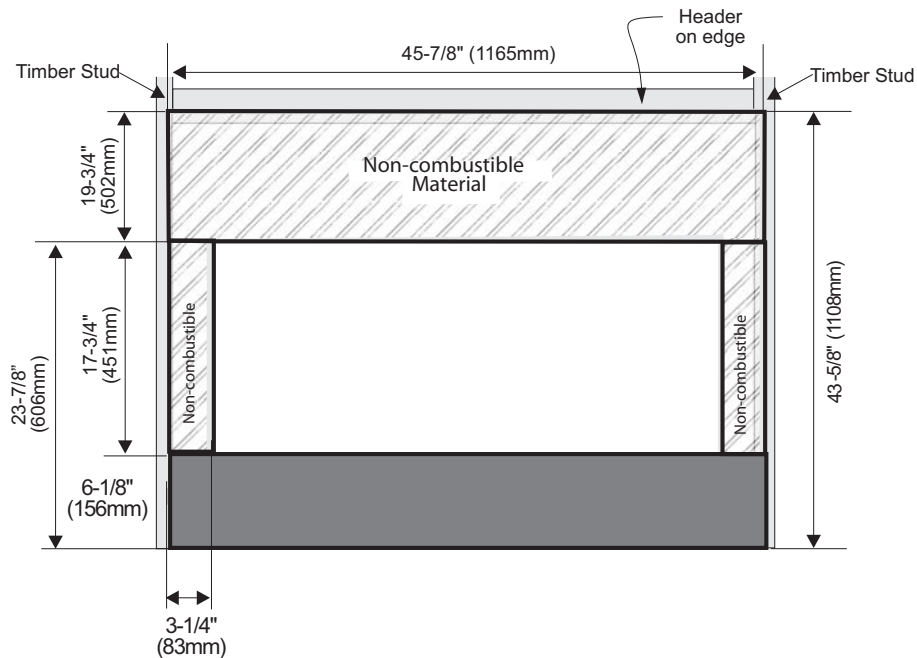
## FRAMING & FINISHING

Finished Material	Nailing Strip Position	
1/2" 13mm	1" 25mm	 <p>Nailing Strip 1" Forward</p> <p>Unit</p>
1" 25mm	1/2" 12.7mm	 <p>Nailing Strip 1/2" Forward</p> <p>Unit</p>
1-1/2" 38mm	0" (flush)	 <p>Nailing Strip Flush w/unit Factory Set</p> <p>Unit</p>

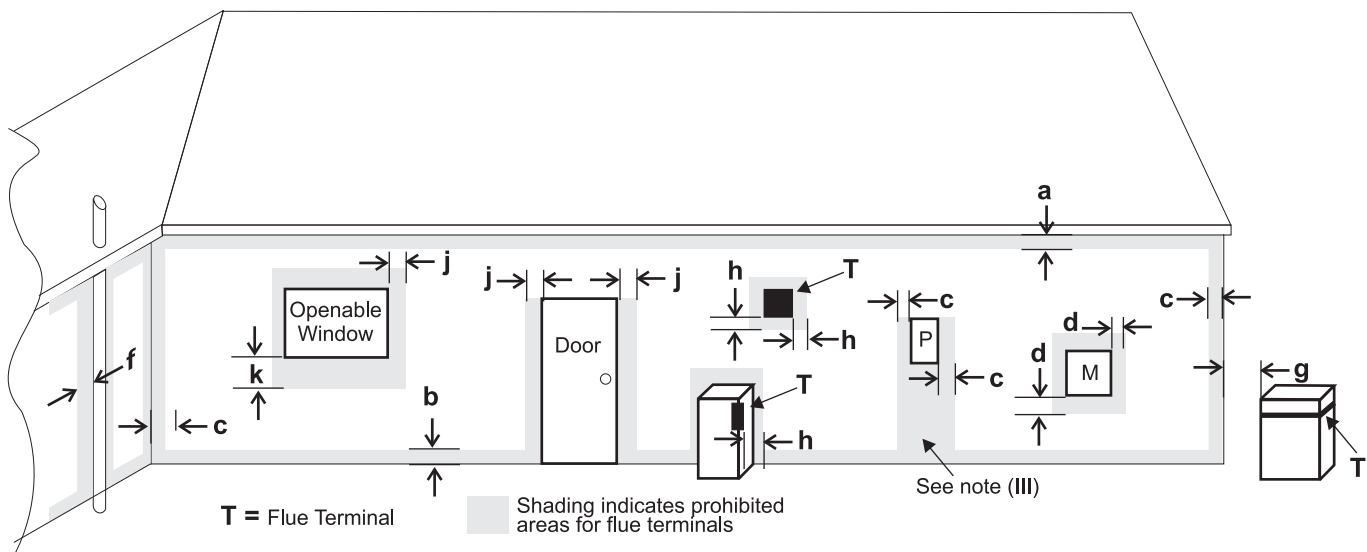
**Note:**

Depending on the material used for finishing, the nailing strips must be set accordingly so that the finished material is always at the 1-1/2" (38mm) edge of the flange.

## COMBUSTIBLE REQUIREMENTS



## EXTERIOR FLUE TERMINATION LOCATIONS



**Minimum clearances required for balanced flue terminals or the flue terminals of outdoor appliances according to AS5601-2004 (AGA gas installation code) or NZS5262 / NZS5266 (New Zealand) and local authorities having jurisdiction.**

	Minimum Clearance (mm)
a Below eaves, balconies or other projections:	
- Appliances up to 50 MJ/h input	300
- Appliances over 50 MJ/h input	500
b From the ground or above a balcony	300
c From a return wall or external corner	500
d From a gas meter (M)	1000
e From an electricity meter or fuse box (P)	500
f From a drain or soil pipe	150
g Horizontal from any building structure (unless appliance is approved for closer installation) or obstruction facing a terminal	500
h From any other flue terminal, cowl or combustion air intake	500
j Horizontally from an openable window, door, or non-mechanical air inlet, or any other opening into a building, with the exception of sub-floor ventilation (see also Note (I)):	
- Appliances up to 150 MJ/h input	500
- Appliances over 150 MJ/h input	1500
k Vertically below an openable window, door, or non-mechanical air inlet, or any other opening into a building, with the exception of sub-floor ventilation	

(see also Note (I)): see table below

Clearance 'k' in mm			
Space Heaters	All Other Appliances		
Up to 50 MJ/h input	Up to 50 MJ/h	Over 50 MJ/h input to 150 MJ/h input	Over 150 MJ/h input
150	500	1000	1500

- (I) For mechanical air inlets, including spa blowers, the clearance 'j' and 'k' shall be 1500 mm in all cases.
- (II) All distances shall be measured vertically or horizontally along the wall to a point in line with the nearest part of the terminal.
- (III) Prohibited area below electricity meter or fuse box extends to ground level.
- (IV) A flue terminal of this type shall not be located under a roofed area unless the roofed area is fully open on at least two sides and a free flow of air at the appliance is achieved.

## 4" X 6-5/8" (102MM X 175MM) RIGID PIPE CROSS REFERENCE CHART ONLY

Components from different Manufacturers may not be mixed. Not All Rigid Pipe components are available directly from FPI.

Description	Simpson Direct Vent Pro®	Selkirk Direct Temp™	American Metal Products® Amerivent Direct	Metal-Fab™ Sure Seal	Security Secure-Vent®	ICC Excel Direct
6" Pipe Length-Galvanized	46DVA-06	4DT-6	N/A	4D6	SV4L6	TC-4DL6
6" Pipe Length-Black	46DVA-06B	4DT-6B	N/A	4D6B	SV4LB6	TC-4DL6B
7" Pipe Length-Galvanized	N/A	N/A	4D7	N/A	N/A	N/A
7" Pipe Length-Black	N/A	N/A	4D7B	N/A	N/A	N/A
9" Pipe Length-Galvanized	46DVA-09	4DT-9	N/A	N/A	N/A	N/A
9" Pipe Length-Black	46DVA-09B	4DT-9B	N/A	N/A	N/A	N/A
12" Pipe Length-Galvanized	46DVA-12	4DT-12	4D12	4D12	SV4L12	TC-4DL1
12" Pipe Length-Black	46DVA-12B	4DT-12B	4D12B	4D12B	SV4LB12	TC-4DL1B
18" Pipe Length-Galvanized	46DVA-18	4DT-18	4D18	4D18	SV4LA	TC-4DL18
18" Pipe Length-Black	46DVA-18B	4DT-18B	4D18B	4D18B	SV4LA	TC-4DL18B
24" Pipe Length-Galvanized	46DVA-24	4DT-24	4D24	4D24	SV4L24	TC-4DL2
24" Pipe Length-Black	46DVA-24B	4DT-24B	4D24B	4D24B	SV4LB24	TC-4DL2B
36" Pipe Length-Galvanized	46DVA-36	4DT-36	4D36	4D36	SV4L36	TC-4DL3
36" Pipe Length-Black	46DVA-36B	4DT-36B	4D36B	4D36B	SV4LB36	TC-4DL3B
48" Pipe Length-Galvanized	46DVA-48	4DT-48	4D48	4D48	SV4L48	TC-4DL4
48" Pipe Length-Black	46DVA-48B	4DT-48B	4D48B	4D48B	SV4LB48	TC-4DL4B
60" Pipe Length-Galvanized	46DVA-60	4DT-60	N/A	N/A	N/A	N/A
60" Pipe Length-Black	46DVA-60B	4DT-60B	N/A	N/A	N/A	N/A

Adjustable Length 3"-10"-Galvanized	N/A	N/A	N/A	4DAL	N/A	TC-4DLT
Adjustable Length 3"-10"-Black	N/A	N/A	N/A	4DALB	N/A	TC-4DLTB
Adjustable Length 7"-Galvanized	N/A	N/A	4D7A	N/A	N/A	N/A
Adjustable Length 7"-Black	N/A	N/A	4D7AB	N/A	N/A	N/A
Extension Pipe 8-1/2"-Galvanized	46DVA-08A	N/A	N/A	N/A	N/A	N/A
Extension Pipe 8-1/2"-Black	46DVA-08AB	N/A	N/A	N/A	N/A	N/A
Adjustable Length 12"-Galvanized	N/A	N/A	4D12A	N/A	SV4LA12	N/A
Adjustable Length 12"-Black	N/A	N/A	4D12A	N/A	SV4LBA12	N/A
Extension Pipe 16"-Galvanized	46DVA-16A	N/A	N/A	N/A	N/A	N/A
Extension Pipe 16"-Black	46DVA-16AB	N/A	N/A	N/A	N/A	N/A

45° Elbow-Galvanized	46DVA-E45	4DT-EL45	4D45L	N/A	N/A	TE-4DE45
45° Elbow-Black	46DVA-E45B	4DT-EL45B	4DT-EL45B	N/A	N/A	TE-4DE45B
45° Elbow Swivel-Galvanized	See 46DVA-E45	N/A	N/A	4D45L	SV4E45	N/A
45° Elbow Swivel-Black	See 46DVA-E45B	N/A	N/A	4D45LB	SV4EB45	N/A
90° Elbow-Galvanized	46DVA-E90	4DT-EL90S	4DT-EL90S	N/A	N/A	TE-4DE90
90° Elbow-Black	46DVA-E90B	4DT-EL90SB	4DT-EL90SB	N/A	SV4EBR90-1	TE-4DE90B
90° Elbow, Swivel-Galvanized	See 46DVA-E90	N/A	N/A	4D90L	SV4E90-1	N/A
90° Elbow, Swivel-Black	See 46DVA-E90B	N/A	N/A	4D90LB	SV4EB90-1	N/A
90° Starter Elbow, Swivel-Galvanized	N/A	N/A	N/A	4D90A	N/A	N/A
Adaptor*	N/A	N/A	N/A	4D90L	N/A	N/A

Ceiling Support	N/A	4DT-CS	4DFSP	4DSP	SV4SD	TE-4DE45
Cathedral Support Box	46DVA-CS	4DT-CSS	4DRSB	4DRS	SV4CSB	TE-4DE45B
Wall Support/Band	46DVA-WS	4DT-WS/B	4DWS	4DWS	SV4BM	N/A
Offset Support	46DVA-ES (N/A - FPI)	4DT-OS	N/A	N/A	SV4SU	N/A
Wall Thimble-Black	46DVA-WT	4DT-WT	4DWT	4DWT	SV4RSM	TE-4DE90
Wall Thimble Support/Ceiling Support	46DVA-DC	N/A	N/A	N/A	SV4PF	TE-4DE90B
Firestop Spacer	46DVA-FS	4DT-FS	4DFSP	4DFS	SV4BF	N/A
Trim Plate-Black	N/A	4DT-TP	4DFPB	4DCP	SV4LA	N/A



# INSTALLATION

Description	Simpson Direct Vent Pro®	Selkirk Direct Temp™	American Metal Products® Amerivent Direct	Metal-Fab™ Sure Seal	Security Secure-Vent®	ICC Excel Direct
Attic Insulation Shield 12"	46DVA-IS N/A@ FPI	N/A	4DAIS12	N/A	SV4RSA	N/A
Attic Insulation Shield - Cold Climates 36"	N/A	N/A	4DAIS12	N/A	N/A	TM-4AS

Basic Horizontal Termination Kit (A)	Disc.	4DT-HKA	4DHTK2	4DHTKA	SV-SHK	N/A
Horizontal Termination Kit (B)	46DVA-KHA (Changed Components)	4DT-HKB	4DHTK1	4DHTKB	SV-HK	N/A
Vertical Termination Kit	Disc.	4DT-VKC	4DHTK	4DHTK	SV-FK	N/A

High Wind Vertical Cap	46DVA-VCH	N/A	N/A	N/A	N/A	TM-4VT
High Wind Horizontal Cap	46DVA-HC	N/A	N/A	N/A	N/A	TM-4DHT
Storm Collar	46DVA-08A	4DT-SC	4DSC	4DSC	SV4FC	TM-SC

Adjustable Flashing 0/12-6/12	46DVA-F6	4DT-ST14	4D12S	4DST14	SV4STC14	TF-4FA
Adjustable Flashing 6/12-12/12	46DVA-FLA	4DT-ST36	4D36S	4DST36	SV4STC36	TF-4FB

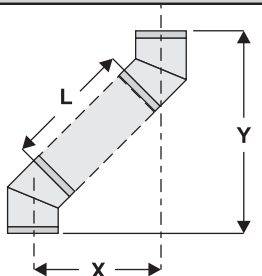
Vinyl Siding Standoff	46DVA-VSS	4DT-VS	N/A	4DVS	SV4VS	TM-VSS
Vinyl Siding Shield Plate	N/A	4DT-VSP	N/A	N/A	SV4VS	N/A

Snorkel Termination 14"	46DVA-SNKL	N/A	N/A	N/A	N/A	TM-4ST14
Snorkel Termination 36"	N/A	N/A	N/A	N/A	N/A	TM-4ST36

Restrictor Disk	N/A	N/A	N/A	N/A	N/A	TM-4DS
Extended Vertical Termination Cap	N/A	N/A	N/A	N/A	N/A	N/A
Chimney Conversion Kit A (USA only)	46DVA-KCA	N/A	N/A	N/A	N/A	TM-4CA6
Chimney Conversion Kit B (USA only)	46DVA-KCB	N/A	N/A	N/A	N/A	TM-4CA7
Chimney Conversion Kit C (USA only)	46DVA-KCC	N/A	N/A	N/A	N/A	TM-4CA8
Chimney Conversion Kit Masonry (USA only)	46DVA-KMC	N/A	N/A	N/A	N/A	N/A
Wall Firestop	46DVA-WFS	N/A	N/A	N/A	N/A	TM-4TR
Colinear Flex Connectors	46DVA-ADF	N/A	N/A	N/A	N/A	N/A

FPI			
946-506/P	Vent Guard (Optional) for AstroCap	946-205	Vinyl Siding Shield for Riser Vent Terminal
510-994	Rigid Pipe Adaptor (Must use with all rigid piping)	946-208/P	Vent Guard (Optional) for Riser Vent Terminal
640-530/P	Riser Vent Terminal	946-523/P	AstroCap Horizontal Cap
946-605	Starter Collar Increaser 4" x 6-5/8" to 5" x 8"	946-206	Vinyl Siding Standoff for AstroCap

**Note:** When using Metal-Fab Sure Seal Rigid Piping - please note that the Adaptor (4DDA) must be used in conjunction with FPI Rigid Pipe Adaptor (510-994).

Offset Pipe Selection: Use this table to determine offset pipe lengths.				For specific instructions on venting components - visit the manufacturers website listed below.  Simpson Direct Vent Pro: <a href="http://www.duravent.com">www.duravent.com</a> Selkirk Direct-Temp: <a href="http://www.selkirkcorp.com">www.selkirkcorp.com</a> American Metal Products: <a href="http://www.americanmetalproducts.com">www.americanmetalproducts.com</a> Metal-Fab Sure Seal: <a href="http://www.mtlfab.com">www.mtlfab.com</a> Security Secure Vent: <a href="http://www.securitychimneys.com">www.securitychimneys.com</a> Industrial Chimney Company: <a href="http://www.icc-rsf.com">www.icc-rsf.com</a>
Pipe Length (L)	4" x 6-5/8" Venting			
	Run (X)	Rise (Y)		
0" (0mm)	4-7/8" (124mm)	13-7/8" (340mm)		
6" (152mm)	8" (203mm)	16-1/2" (419mm)		
9" (229mm)	10-1/8" (257mm)	18-5/8" (473mm)		
12" (305mm)	12-1/4" (311mm)	20-3/4" (527mm)		
24" (610mm)	20-5/8" (524mm)	29-1/8" (740mm)		
36" (914mm)	29" (737mm)	37-1/2" (953mm)		
48" (1219mm)	37-7/16" (951mm)	45-15/16" (1167mm)		

**Note:** Horizontal runs of vent must be level, or have a 1/4" rise for every 1 foot of run towards the termination.  
Never allow the vent to run downward - this could cause high temperatures and may present a possible fire hazard.

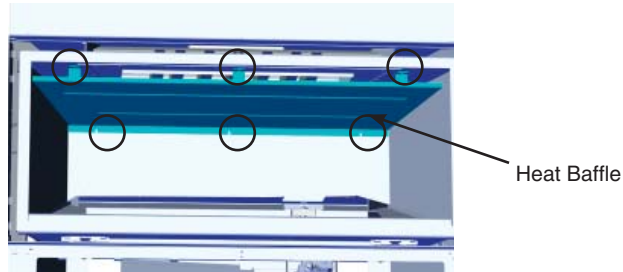
## VENT RESTRICTOR POSITION

Vent restriction is required for certain venting installations, see the diagrams in the "Venting Arrangements" section to determine if they are required for your installation.

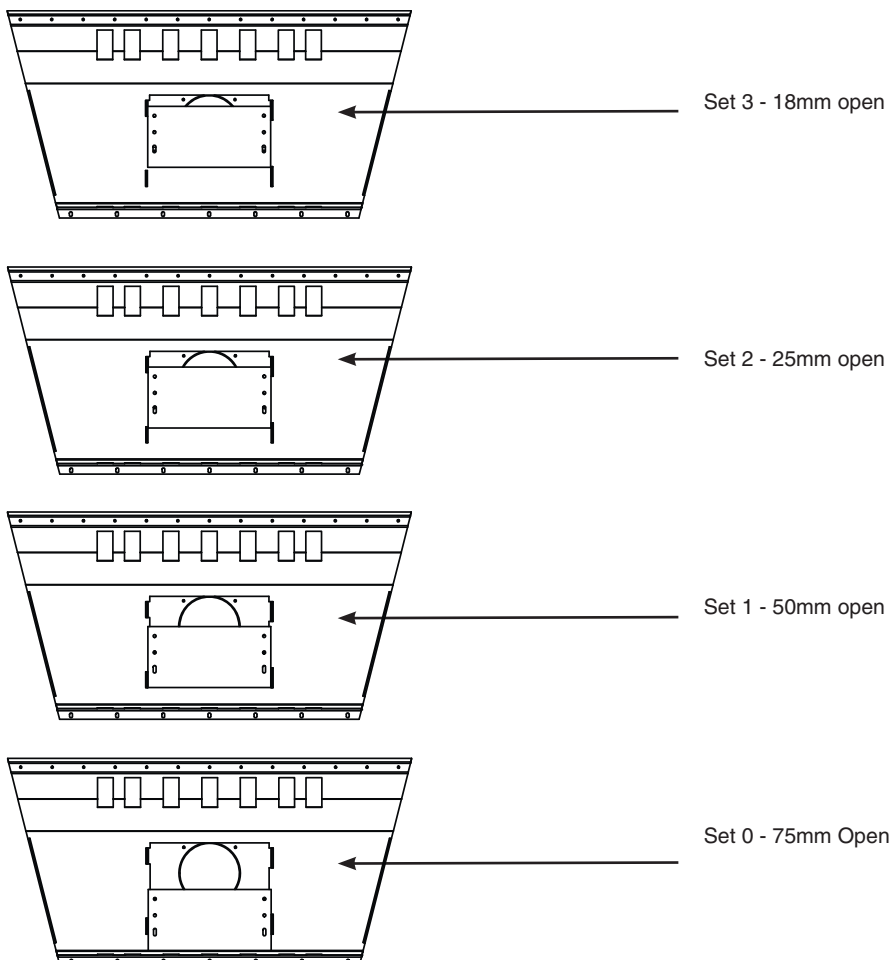
The Vent Restrictor plate is located on the inside top of the firebox.

To set the vent restriction as indicated in the venting arrangements diagrams, refer to the following instructions;

1. Remove the glass door and inner panels - see instructions in this manual.
2. Remove 6 screws (3 front - 3 back) to remove heat baffle to access restrictor plate.



3. Remove the screws that hold the vent restrictor in place.
4. Adjust the vent restrictor plate to the required vent restrictor position as per the diagrams shown below.
5. Once the vent restrictor plate is in the required position, secure with screws.



## VENTING INTRODUCTION

The GF900 uses the "balanced flue" technology Co-Axial system. The inner liner vents products of combustion to the outside while the outer liner draws outside combustion air into the combustion chamber thereby eliminating the need to use heated room air for combustion and losing warm room air up the chimney.

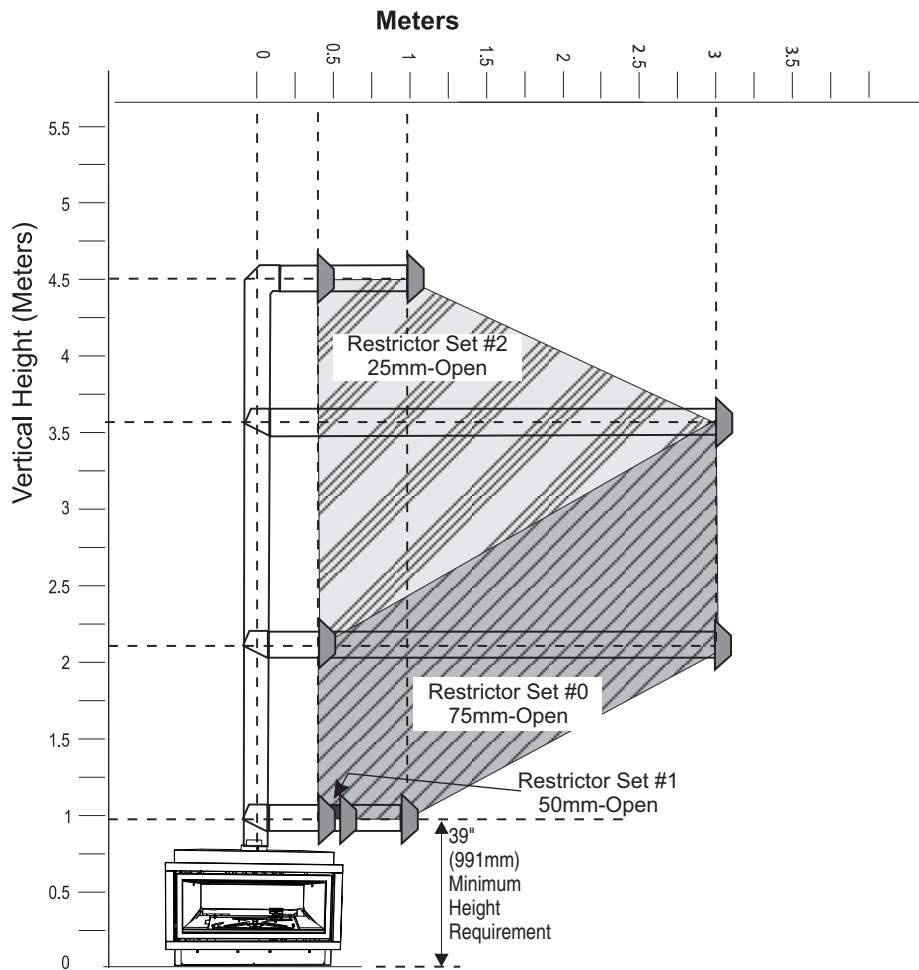
**Note:** These flue pipes must not be connected to any other appliance.

The gas appliance and vent system must be vented directly to the outside of the building, and never be attached to a chimney serving a separate solid fuel or gas burning appliance. Each direct vent gas appliance must use its own separate vent system. Common vent systems are prohibited.

## VENTING ARRANGEMENT FOR HORIZONTAL TERMINATIONS

The diagram shows all allowable combinations of vertical runs with horizontal terminations, using one 90° (two 45° elbows equal one 90° elbow).

**Note:** Must use optional rigid pipe adapter (Part# 510-994) when using Rigid Pipe Venting Systems.



### VENT RESTRICTOR SETTING:

*Vent restrictor factory set at Set 0.*

Refer to the "Vent Restrictor Position" section for details on how to change the vent restrictor from the factory setting of Set 0 to Set 1 if required.

**Note:** For horizontal terminations the Regency Direct Vent Flex System may be used for installations with a maximum continuous vent length of up to 3m. If longer runs are required, rigid pipe must be used.

- Maintain clearances to combustibles as listed in "Clearances" section
- Horizontal vent must be supported every 0.9m
- Firestops are required at each floor level and whenever passing through a wall.
- A vent guard should be used whenever the termination is lower than the specified minimum or as per local codes.
- Flex system can only be used up to 3m - otherwise rigid venting must be used.

## HORIZONTAL TERMINATIONS FLEX VENT 4" X 6-7/8" (102MM X 175MM)

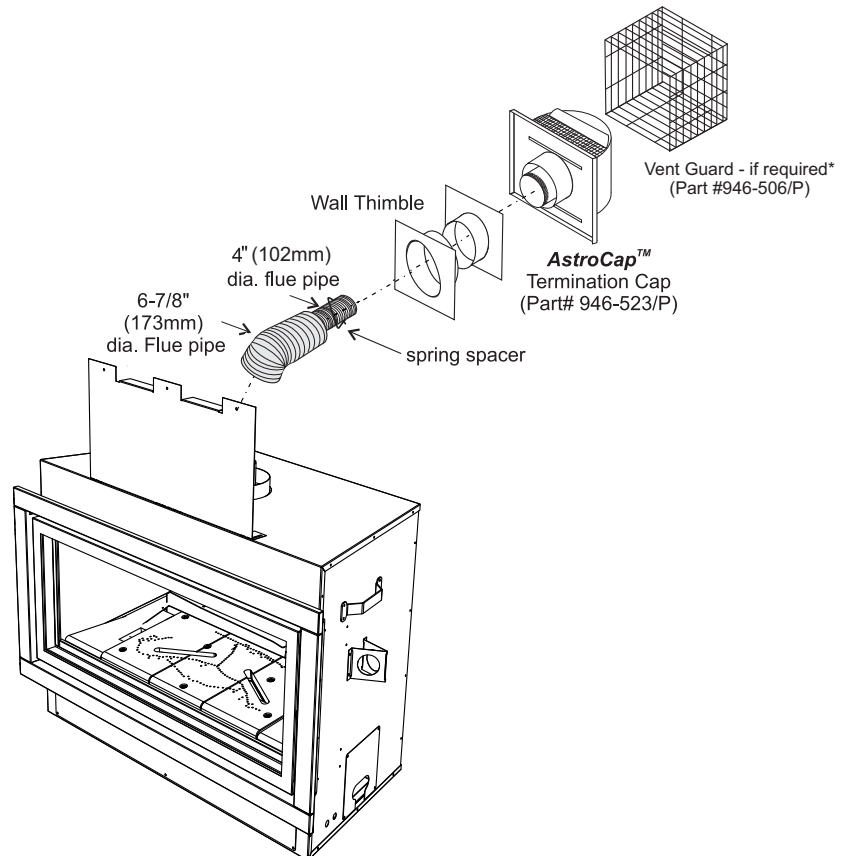
These venting systems, in combination with the GF900 Direct Vent Gas Fireplace, has been tested and listed as a direct vent heater system. The location of the termination cap must conform to the requirements in the Vent Terminal Locations diagram in "Exterior Vent Termination Locations" section.

**Regency® Direct Vent (Flex) System Termination Kits** includes all the parts needed to install the GF900 using a flexible vent.

FPI Kit #	Length	Contains:
#946-515	1.2 m	<ol style="list-style-type: none"> <li>1) 6-7/8" flexible outer liner (Kit length)</li> <li>2) 4" flexible inner liner (Kit length)</li> <li>3) spring spacers</li> <li>4) thimble</li> </ol>
#946-516	3 m	<ol style="list-style-type: none"> <li>5) <b>AstroCap™</b> termination cap</li> <li>6) screws</li> <li>7) tube of Mill Pac</li> <li>8) plated screws</li> <li>9) S.S. screws #8 x 1-1/2" drill point</li> </ol>

### Notes:

- 1) Liner sections should be continuous without any joints or seams.
- 2) Only Flex pipe purchased from Regency® may be used for Flex installations
- 3) Horizontal vent must be supported every 0.9m.
- 4) Regency® DirectVent System (Flex) is only approved for horizontal terminations.
- 5) Flex system can only be used up to a maximum continuous vent length of up to 3m. If longer runs are required, rigid pipe must be used.



# INSTALLATION

## HORIZONTAL TERMINATIONS

### RIGID PIPE 4" X 6-5/8" (102MM X 175MM)

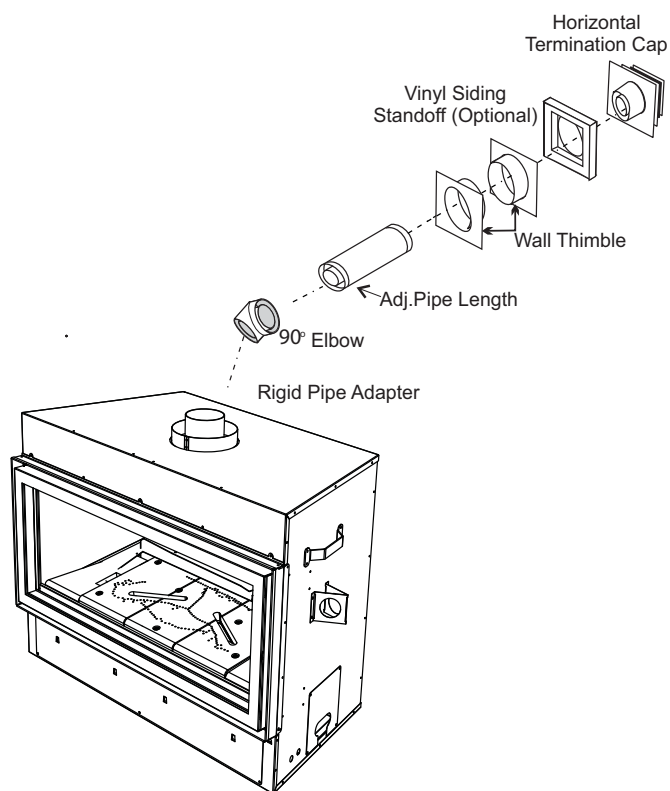
The minimum components required for a basic horizontal termination are:

- 1 Horizontal Termination Cap
- 1 90° Elbow
- 1 Rigid Pipe Adaptor (510-994)
- 1 Wall Thimble
- 1 Length of pipe to suit wall thickness (see chart)

Wall thickness is measured from the back standoffs to the inside mounting surface of termination cap. For siding other than vinyl furring strips may be used, instead of the vinyl siding standoff, to create a level surface to mount the vent terminal. The Terminal must not be recessed into siding. Measure the wall thickness including furring strips.

If a Vinyl Siding Standoff is required (it must be used with vinyl siding), measure to outside surface of wall without siding and add 51mm.

Flat Wall Installation	
Wall Thickness (inches)	Vent Length Required (inches)
4" - 5-1/2"	6"
7" - 8-1/2"	9"
10" - 11-1/2"	12"
9" - 14-1/2'	11" - 14-5/8" Adj. Pipe
15" - 23-1/2"	17" - 24" Adj. Pipe



**WARNING:**

Do not combine venting components from different venting systems.

However use of the the AstroCap™ and FPI Riser is acceptable with all systems.

This product has been evaluated by Intertek for using a Rigid Pipe Adaptor in conjunction with Duravent Direct-Vent, Selkirk Direct-Temp, Ameri Vent Direct Venting, ICC Excel Direct and Security Secure Vent systems. Use of these systems with the Rigid Pipe adaptor is deemed acceptable and does not affect the Intertek WHI listing of components.

**When using Rigid Vent other than Simpson Dura-Vent, 3 screws must be used to secure rigid pipe to adaptor.**

The FPI AstroCap™ and FPI Riser Vent terminal are certified for installations using FPI venting systems as well as Simpson Dura-Vent® Direct Vent, American Metal Products Ameri Vent Direct Vent, Security Secure Vent®, ICC Excel, Selkirk Direct-Temp. AstroCap™ is a proprietary trademark of FPI Fireplace Products International Ltd. Dura-Vent® and Direct Vent are registered and/or proprietary trademarks of Simpson Dura-Vent Co. Inc.

## HORIZONTAL TERMINATIONS RIGID PIPE 4" X 6-5/8" (102MM X 175MM)

The diagrams below shows examples of horizontal termination arrangements using one 90° elbow.

- 1) A maximum of one 90° elbow is permitted.
  - 2) Minimum distance between elbows is 1 ft. (305mm).
- Maintain clearances to combustibles as listed in the "Clearances" section.
  - Horizontal vent must be supported every 3 feet.
  - Firestops are required at each floor level and whenever passing through a wall.
  - Must use optional rigid pipe adaptor (Part# 510-994) when using rigid pipe vent systems.
  - A vent guard should be used whenever the termination is lower than the specified minimum or as per local codes.
  - Flex system can only be used up to 3m - otherwise rigid venting must be used.

### Straight Out Horizontal Venting

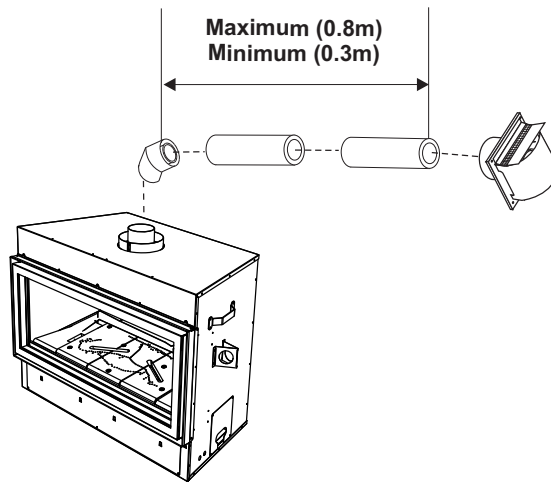
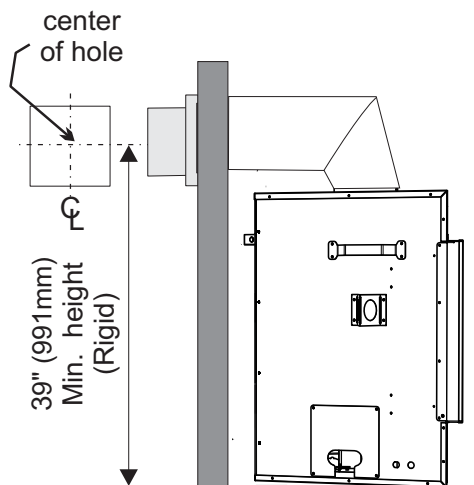


Diagram 1



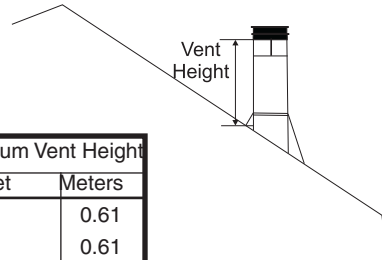
*Please note the minimum centerline for basic install shown above.*

## VERTICAL TERMINATIONS RIGID PIPE 4" X 6-5/8" (102MM X 175MM)

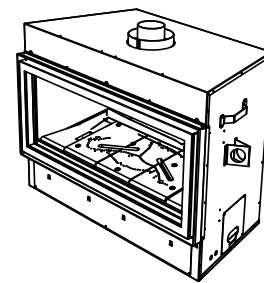
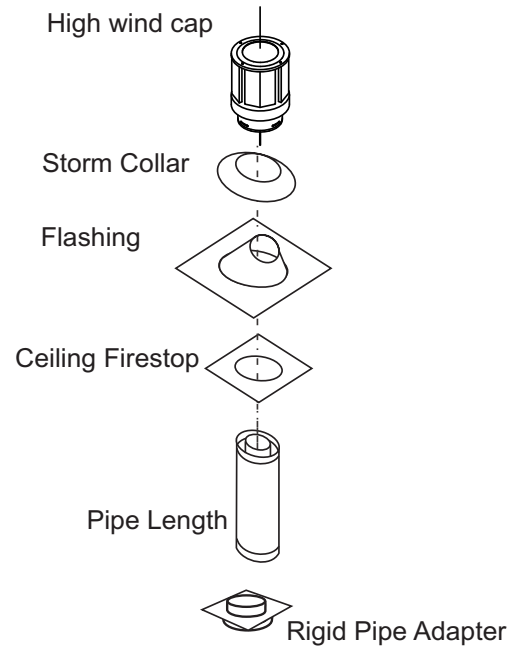
The minimum components required for a basic vertical termination are:

- 1 Vertical Termination Cap
- 1 Rigid Pipe Adaptor (510-994)
- 1 Ceiling Firestop
- 1 Flashing
- 1 Storm Collar
- 1 Length of pipe to suit wall thickness (see chart)

Galvanized pipe is desirable above the roofline due to its higher corrosion resistance. Continue to add pipe sections through the flashing until the height of the vent cap meets the minimum height requirements specified in local codes. Note that for steep roof pitches, the vertical height must be increased. A poor draft, or down drafting can result from high wind conditions near big trees or adjoining roof lines, in these cases, increasing the vent height may solve the problem.



Roof Pitch	Minimum Vent Height	
	Feet	Meters
flat to 7/12	2	0.61
over 7/12 to 8/12	2	0.61
over 8/12 to 9/12	2	0.61
over 9/12 to 10/12	2.5	0.76
over 10/12 to 11/12	3.25	0.99
over 11/12 to 12/12	4	1.22
over 12/12 to 14/12	5	1.52
over 14/12 to 16/12	6	1.83
over 16/12 to 18/12	7	2.13
over 18/12 to 20/12	7.5	2.29
over 20/12 to 21/12	8	2.44



### **WARNING:**

Do not combine venting components from different venting systems.

However use of the the AstroCap™ and FPI Riser is acceptable with all systems.

This product has been evaluated by Intertek for using a Rigid Pipe Adaptor in conjunction with Duravent Direct-Vent, Selkirk Direct-Temp, Ameri Vent Direct Venting, ICC Excel Direct and Security Secure Vent systems. Use of these systems with the Rigid Pipe adaptor is deemed acceptable and does not affect the Intertek WHI listing of components.

**When using Rigid Vent other than Simpson Dura-Vent, 3 screws must be used to secure rigid pipe to adaptor.**

The FPI AstroCap™ and FPI Riser Vent terminal are certified for installations using FPI venting systems as well as Simpson Dura-Vent® Direct Vent, American Metal Products Ameri Vent Direct Vent, Security Secure Vent®, ICC Excel, Selkirk Direct-Temp. AstroCap™ is a proprietary trademark of FPI Fireplace Products International Ltd. Dura-Vent® and Direct Vent are registered and/or proprietary trademarks of Simpson Dura-Vent Co. Inc.



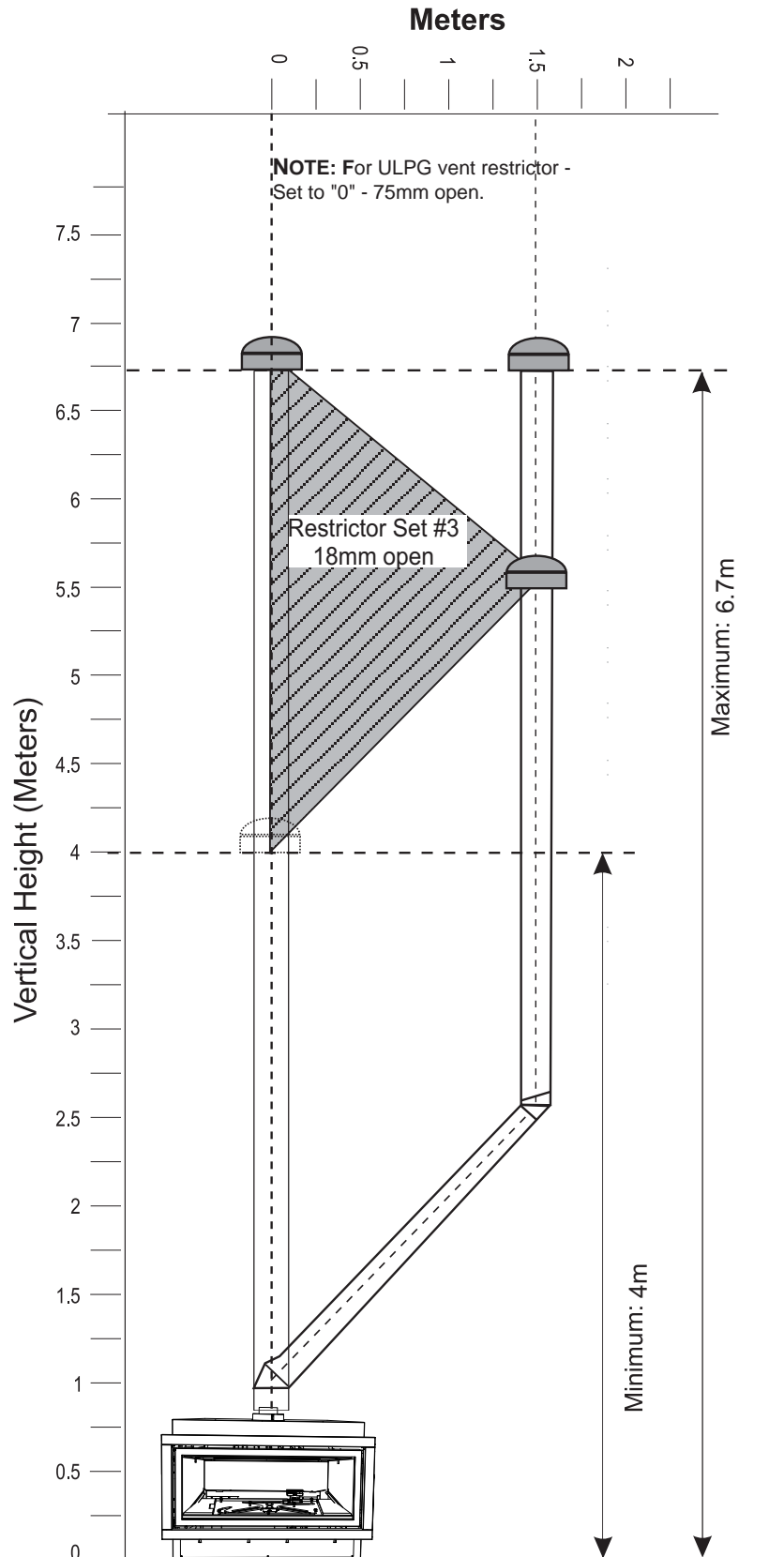
## VENTING ARRANGEMENT FOR VERTICAL TERMINATIONS

Vertical Venting with One(1) 90° Elbows (1 - 90° = 2 - 45°)

The shaded area in the diagram shows all allowable combinations of straight vertical and offset to vertical terminations, using two 45° elbow, with **Rigid Pipe Venting Systems**.

- Vent must be supported at offsets.
- Minimum distance between elbows is 1 ft. (305mm).
- Maintain clearances to combustibles as listed in the "Clearances" section.
- Horizontal vent must be supported every 3 feet.
- Firestops are required at each floor level and whenever passing through a wall.
- Must use optional rigid pipe adaptor (Part# 510-994) when using rigid pipe vent systems.
- Refer to the "Vent Restrictor Position" section for details on how to change the vent restrictor from the factory setting of Set 0 to Set 1 or Set 3 if required.

**"THIS UNIT MUST ALWAYS TERMINATE / VENT DIRECTLY TO THE OUTDOORS."**



# INSTALLATION

## UNIT INSTALLATION WITH HORIZONTAL TERMINATION

4" X 6-5/8" (102MM X 175MM) VENTING

(Rigid Vent Systems)

Minimum Vent Clearances to Combustibles

\* Clearances noted below must be maintained; except when passing through a wall, ceiling or at the termination where the use of a firestop or wall thimble reduces clearance to 1-1/2" (38mm).

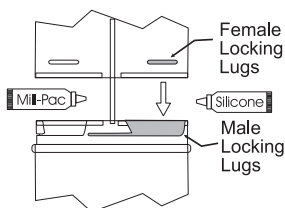
Horizontal Top*	3" (76mm)*
Horizontal Side	2" (51mm)
Horizontal Bottom	2" (51mm)
Vertical Vent	2" (51mm)

Below are the recommended framing dimensions (inside measurements) for the 4" x 6-5/8" rigid vent terminations - for use with a firestop or wall thimble.

Recommended Framed Opening Size	
Vent Size	Framing Size
102mm x 175mm	254mm x 254mm

Install the vent system according to the manufacturer's instructions included with the components.

- 1) Set the unit in its desired location. Check to determine if wall studs or roof rafters are in the way when the venting system is attached. If this is the case, you may want to adjust the location of the unit. Rough in the gas preferably on the right side of the unit and the electrical (junction block is on the left side) on the left.
- 2) Direct Vent pipe and fittings are designed with special twist-lock connections to connect the venting system to the appliance flue outlet. A twist-lock appliance adaptor is required.
- 3) In conjunction with the Approved Vent system, install the adaptor after the unit is set in its desired location. Put a bead of high temperature silicone inside the outer section of the adapter and a bead of Mill Pack on the inner collar. Slip the adaptor over the existing inner and outer flue collar. Fasten to the outer collar only with the 3 supplied screws (drilling pilot holes will make this easier).
- 4) Level the fireplace and fasten it to the framing using nails or screws through the top and side nailing strips.



- 5) Assemble the desired combination of pipe and elbows to the appliance adaptor and twist-lock for a solid connection.

**Note:** For best results and optimum performance with each approved venting system, it is highly recommended to apply "Mill-Pac" sealant (supplied) to every inner pipe connection. Failure to do so may result in drafting or performance issues not covered under warranty. **Silicone (red RTV) is optional.**

**Horizontal runs of vent must be supported every 3 feet (0.9meter). Wall straps are available for this purpose.**

- 6) Mark the wall for a square hole.-see chart to left for size. The center of the square hole should line up with the center-line of the horizontal pipe. Cut and frame the square hole in the exterior wall where the vent will be terminated. See diagram 2 for center line requirements.

If the wall being penetrated is constructed of non-combustible material, i.e. masonry block or concrete, an 8" (203mm) diameter hole is acceptable.

**Note:**

- a) The horizontal run of vent must be level, or have a 1/4 inch rise for every 1 foot of run towards the termination. Never allow the vent to run downward. This could cause high temperatures and may present the possibility of a fire.
- b) The location of the horizontal vent termination on an exterior wall must meet all local and national building codes,

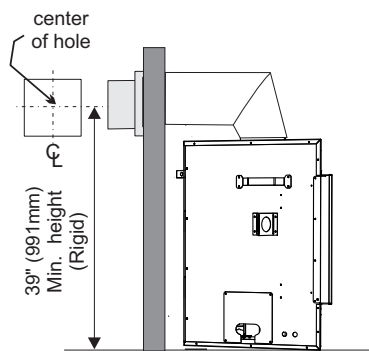


Diagram 2

- 7) Ensure that the pipe clearances to combustible materials are maintained (Diagram 5). Install the termination cap.

**Note:** If installing termination on a vinyl siding covered wall, a vinyl siding standoff or furring strips must be used to ensure that the termination is not recessed into the siding.

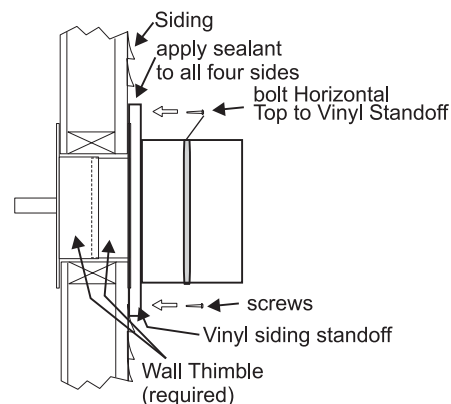


Diagram 5

The four wood screws provided should be replaced with appropriate fasteners for stucco, brick, concrete, or other types of sidings.

- 8) Before connecting the horizontal run of vent pipe to the vent termination, slide the Wall Thimble over the vent pipe. The wall thimble is required for all horizontal terminations.
- 9) Slide the appliance and vent assembly towards the wall carefully inserting the vent pipe into the vent cap assembly. It is important that the vent pipe extends into the vent cap sufficient distance so as to result in a minimum pipe overlap of 1-1/4 inches (32mm). Secure the connection between the vent pipe and the vent cap.
- 10) Install wall thimble in the center of the framed hole and attach with wood screws (Diagram 7).

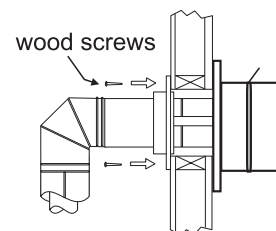


Diagram 7

## UNIT INSTALLATION WITH HORIZONTAL TERMINATION

**4" X 6-5/8" (102MM X 175MM) VENTING**  
**(Flex Vent Systems)**  
**Minimum Vent Clearances to Combustibles**

\* Clearances noted below must be maintained; except when passing through a wall, ceiling or at the termination where the use of a firestop or wall thimble reduces clearance to 1" (25mm).

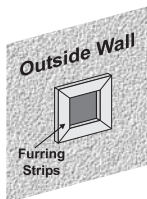
Horizontal Top*	3" (76mm)*
Horizontal Side	2" (51mm)
Horizontal Bottom	2" (51mm)
Vertical Vent	2" (51mm)

Below are the recommended framing dimensions (inside measurements) for the 4" x 6-5/8" rigid vent terminations - for use with a firestop or wall thimble.

Recommended Framed Opening Size	
Vent Size	Framing Size
102mm x 175mm	254mm x 254mm

- 1) Locate the unit in the framing, rough in the gas (preferably on the right side of the unit). Locate the centerline of the termination and mark wall accordingly. Cut an square hole in the wall - see chart (inside dimension).

**Note:** If installing termination on a siding covered wall, a vinyl siding standoff or vinyl furring strips must be used to ensure that the termination is not recessed into the siding.



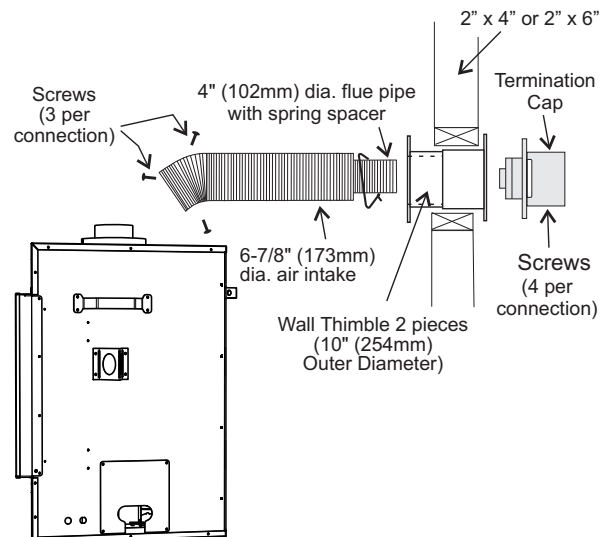
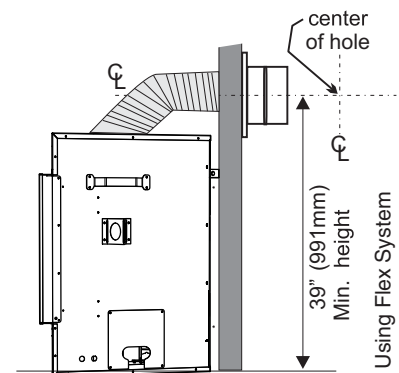
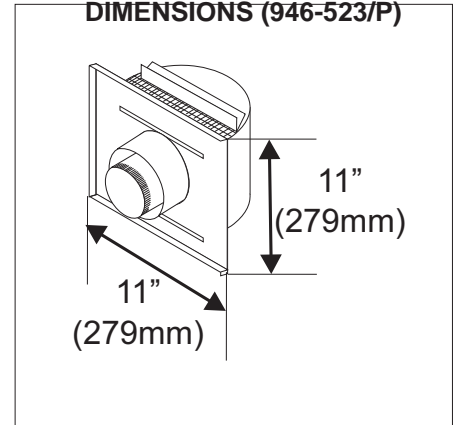
- 2) Level the fireplace and fasten it to the framing using nails or screws through the nailing strips.
- 3) Assemble the vent assembly by applying Mill Pac to the inner flue collar of the termination and slipping the inner flex liner over it at least 1-3/8" (35mm). Fasten with the 3 screws (drilling pilot holes will make this easier). Apply Mill Pac or high temperature silicone to the outer flex pipe and slip it over the outer flue collar of the vent terminal at least 1-3/8" (35mm) and fasten with the 3 screws.

**NOTE:** Horizontal sections must be supported at intervals not exceeding 3 feet (0.9 meter). (Flame picture and performance will be affected by sags in the liner).

- 4) Separate the 2 halves of the wall thimble and securely fasten the one with the tabs to the outside wall making sure that the tabs are on top and bottom. Fasten the other thimble half to the inside wall. The thimble halves slip inside each other and can be adjusted for 2 x 4 or 2 x 6 walls.
- 5) Slip the assembled liner and termination assembly through the thimble making sure the termination cap faces up (there are markings on the cap indicating which way is up). This will position the termination cap with proper down slope for draining water. Fasten the cap to the outer wall with the 4 supplied screws.
- 6) Pull the centre inner and outer flex liner out enough to slip over the flue collars of the fireplace. (You may wish to cut the liner shorter to make it more workable.) Do not bend liner more than 90°. **The liners must slip over the collars a minimum of 1-3/8".**
- 7) Apply Mill Pac over the fireplace inner flue collar and slip the inner flex liner down over it and attach with 3 supplied screws.
- 8) Do the same with the outer flue collar and outer flex liner.
- 9) Apply a bead of silicone between the thimble and termination and around the outer edge of the terminal at the wall in order to keep the water out.

**IMPORTANT:** Do not locate termination hood where excessive snow or ice buildup may occur. Be sure to check vent termination area after snow falls, and clear to prevent accidental blockage of venting system. When using snow blowers, make sure snow is not directed towards vent termination area.

### ASTROCAP DIMENSIONS (946-523/P)



## UNIT INSTALLATION WITH VERTICAL TERMINATION

**4" X 6-5/8" (102MM X 175MM) VENTING (Rigid Vent Systems)**

- 1) Maintain the 1-1/2" clearances (air spaces) to combustibles when passing through ceilings, walls, roofs, enclosures, attic rafter, or other nearby combustible surfaces. Do not pack air spaces with insulation. Check "Venting" Sections for the maximum vertical rise of the venting system and the maximum horizontal offset limitations.

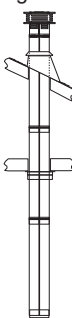


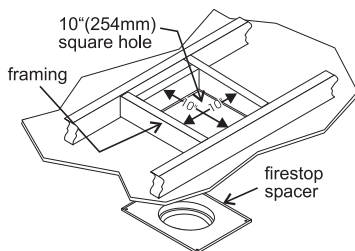
Diagram 1

- 2) Set the gas appliance in its desired location. Drop a plumb bob down from the ceiling to the position of the appliance flue exit, and mark the location where the vent will penetrate the ceiling. Drill a small hole at this point. Next, drop a plumb bob from the roof to the hole previously drilled in the ceiling, and mark the spot where the vent will penetrate the roof.
- 3) A Firestop spacer must be installed in the floor or ceiling of every level. To install the Firestop spacer in a flat ceiling or wall, cut a 10 inch square hole. Frame the hole as shown in Diagram 2 and install the firestop.

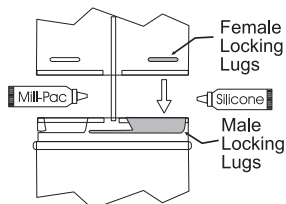


Diagram 2

**Note: All vertical terminations are vented using 4" x 6-5/8" venting and rigid pipe adaptor #510-994.**



- 4) Assemble the desired lengths of pipe and elbows. Ensure that all pipes and elbow connections are in the fully twist-locked position



**NOTE: For best results and optimum performance with each approved venting system, it is highly recommended to apply "Mill-Pac" sealant (supplied) to every inner pipe connection. Failure to do so may result in drafting or performance issues not covered under warranty. Silicone (red RTV) is optional.**

and sealed.

- 5) Cut a hole in the roof centered on the small drilled hole placed in the roof in Step 2. The hole should be of sufficient size to meet the minimum requirements for clearance to combustibles of 1-1/2". Slip the flashing under the shingles (shingles should overlap half the flashing) as

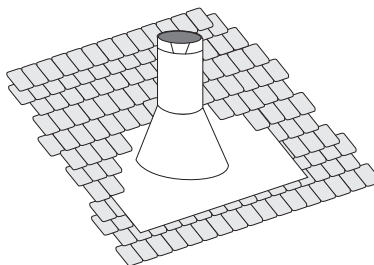


Diagram 3: The upper half of the flashing is installed under the roofing material and not nailed down until the chimney is installed. This allows for small adjustments.

per Diagram 3.

- 6) Continue to assemble pipe lengths.

**Note: If an offset is necessary in the attic to avoid obstructions, it is important to support the vent pipe every 3 feet, to avoid excessive stress on the elbows, and possible separation. Wall straps are available for this purpose.**

Galvanized pipe is desirable above the roofline due to its higher corrosion resistance. Continue to add pipe sections through the flashing until the height of the vent cap meets the minimum height requirements specified in Dia. 4 or local codes. Note that for steep roof pitches, the vertical height must be increased. A poor draft, or down drafting can result from high wind conditions near big trees or adjoining roof lines, in these cases, increasing the vent height may solve the problem.

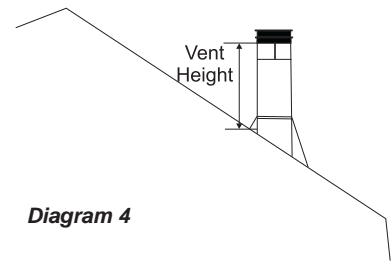


Diagram 4

Roof Pitch	Minimum Vent Height	
	Feet	Meters
flat to 7/12	2	0.61
over 7/12 to 8/12	2	0.61
over 8/12 to 9/12	2	0.61
over 9/12 to 10/12	2.5	0.76
over 10/12 to 11/12	3.25	0.99
over 11/12 to 12/12	4	1.22
over 12/12 to 14/12	5	1.52
over 14/12 to 16/12	6	1.83
over 16/12 to 18/12	7	2.13
over 18/12 to 20/12	7.5	2.29
over 20/12 to 21/12	8	2.44

- 7) Ensure vent is vertical and secure the base of the flashing to the roof with roofing nails, slide storm collar over the pipe section and seal with a mastic.
- 8) Install the vertical termination cap by twist-locking it.

*Note: Any closets or storage spaces, which the vent passes through must be enclosed.*

## GF900-NG SYSTEM DATA

Min. Supply Pressure	1.13 kpa
Low Setting Man. Pressure	0.4kpa
Max. Manifold Pressure	0.87 kpa
Injector Size	#35 DMS
Minimum Input	25 Mj
Maximum Input	35 mj

## GF900-LPG SYSTEM DATA

Min. Supply Pressure	2.75 kpa
Low Setting Man. Pressure	1.6 kpa
Max. Manifold Pressure	2.49 kpa
Injector Size	#53 DMS
Minimum Input	23 Mj
Maximum Input	28 Mj

## GF900-ULPG SYSTEM DATA

Min. Supply Pressure	2.75 kpa
Low Setting Man. Pressure	1.6 kpa
Max. Manifold Pressure	2.49 kpa
Injector Size	#53 DMS
Minimum Input	23 Mj
Maximum Input	28 Mj

## HIGH ELEVATION

This unit is approved for altitude 0 to 1372m.

## GAS LINE INSTALLATION

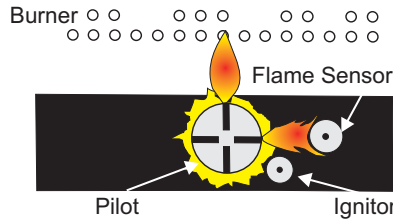
Since some municipalities have additional local codes it is always best to consult with your local authorities.

When using copper or flex connectors use only approved fittings. Always provide a union so that gas lines can be easily disconnected for servicing. Flare nuts for copper lines and flex connectors are usually considered to meet this requirement.

**NOTE: A shutoff / dante valve should be supplied in or near the unit (or as per local codes) for ease of servicing this appliance.**

## PILOT ADJUSTMENT

Periodically check the pilot flames. Correct flame pattern has two strong blue flames: 1 flowing around the flame sensor and 1 flowing across the burner (it does not have to be touching the burner).



**Note: If you have an incorrect flame pattern, contact your Regency® dealer for further instructions.**

Incorrect flame pattern will have small, probably yellow flames, not coming into proper contact with the rear burner or flame sensor.

## GAS PIPE PRESSURE TESTING

The appliance must be isolated from the gas supply piping system by closing its individual manual shut-off valve during any pressure testing of the gas supply piping system at test pressures equal to or less than 1/2 psig. (3.45 kPa). Disconnect piping from valve at pressures over 1/2 psig.

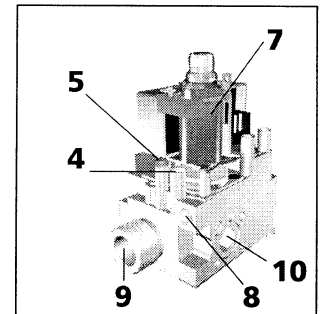
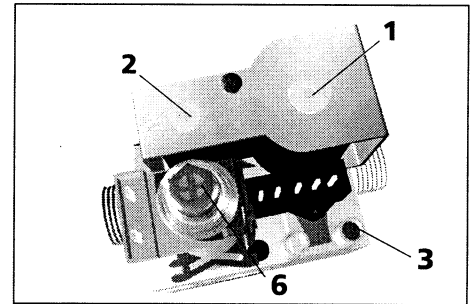
The manifold pressure is controlled by a regulator built into the gas control, and should be checked at the pressure test point.

**Note: To properly check gas pressure, both inlet and manifold pressures should be checked using the valve pressure ports on the valve.**

- 1) Make sure the unit is in the "OFF" position.
- 2) Loosen the "IN" and/or "OUT" pressure tap(s), turning counterclockwise with a 1/8" wide flat screwdriver.
- 3) Attach manometer to "IN" and/or "OUT" pressure tap(s) using a 5/16" ID hose.
- 4) Turn the unit on with the remote or wall switch
- 5) The pressure check should be carried out with the unit burning and the setting should be within the limits specified on the safety label.
- 6) When finished reading manometer, turn off the unit, disconnect the hose and tighten the screw (clockwise) with a 1/8" flat screwdriver.  
**Note: Screw should be snug, but do not over tighten.**

## 845 S.I.T. VALVE DESCRIPTION

- 1) On-Off Solenoid Valve EV1
- 2) On-Off Solenoid Valve EV2
- 3) Inlet Pressure Test Point
- 4) Outlet Pressure Test Point
- 5) Connection for Pressure Regulator/Combustion Chamber Compensation
- 6) Pressure Regulator for Minimum and Maximum Outlet Pressure
- 7) Gas Outlet Pressure Electric Modulator
- 8) Pilot Outlet
- 9) Main Gas Outlet



## AERATION ADJUSTMENT

The burner aeration is factory set but may need adjusting due to either the local gas supply or altitude. Open the air shutter for a blue flame or close for a more yellow flame.

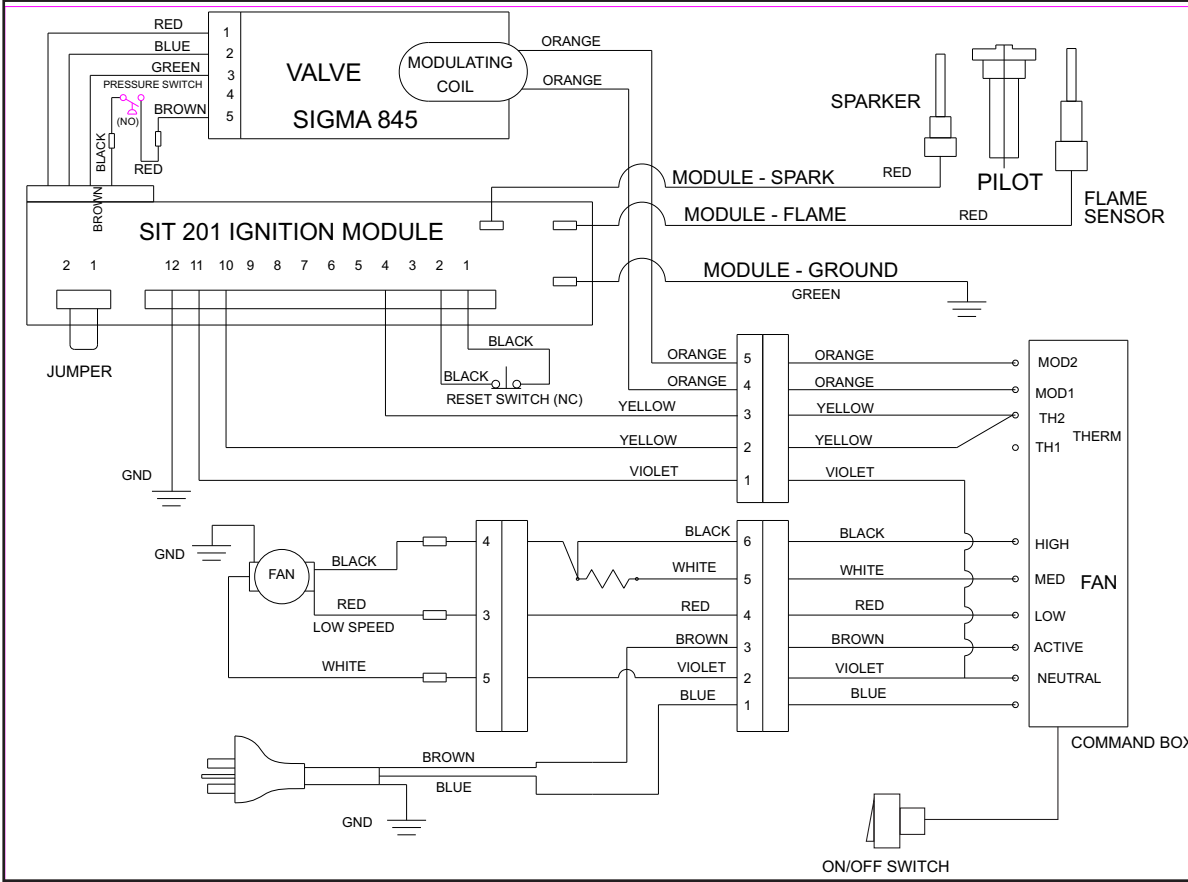
### Minimum Air Shutter Opening:

NG	3/8" (9.5mm)
LPG	1/2" (13mm)
ULPG	Full Open

**Note: Any damage due to carboning resulting from improperly setting the aeration controls is NOT covered under warranty.**

## WIRING DIAGRAM

**DISCONNECT POWER SUPPLY TO UNIT PRIOR TO WORKING ON ELECTRICAL COMPONENTS.**



**Caution:** Ensure that the wires do not touch any hot surfaces and are away from sharp edges.

**CAUTION:** Label all wires prior to disconnection when servicing controls. Wiring errors can cause improper and dangerous operation.



## CONVERSION KIT #466-967 FROM NG TO LP/ULPG FOR GF900 USING SIT 845 NOVA GAS VALVE

**THIS CONVERSION MUST BE DONE BY A QUALIFIED GAS FITTER  
IF IN DOUBT DO NOT DO THIS CONVERSION !!**

Each Kit contains one LP / ULPG Conversion Kit		
GF900L + GF900C Kit# 466-967		
Qty.	Part #	Description
1	904-345	Burner Orifice #53
1	918-590	Decal "Converted to LPG"
1	908-528	Red Propane Label
1	918-272	Conversion to ULPG decal
1	904-529	5/32" Allen Key
1	910-037	LPG Injector
1	911-137	Pilot hood holding clip
1	918-273	Red ULPG label
1	919-131	Instruction Sheet

**PRIOR TO CONVERSION, ENSURE UNIT HAS COOLED TO ROOM TEMPERATURE, ALL POWER IS DISCONNECTED AND GAS SUPPLY IS TURNED OFF.**

1. Remove faceplate, inner frame, glass door, front trim piece and inner panels- see instructions in this manual.

### FOLLOWING STEPS FOR GF900L:

2. Remove logs.
3. Remove burner side panels by lifting out as shown in Diagram 1.

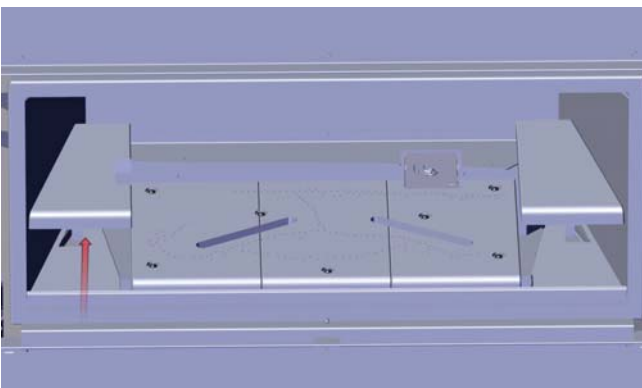


Diagram 1 - Burner Side Panels

4. Remove burner by removing 2 screws in locations shown below.

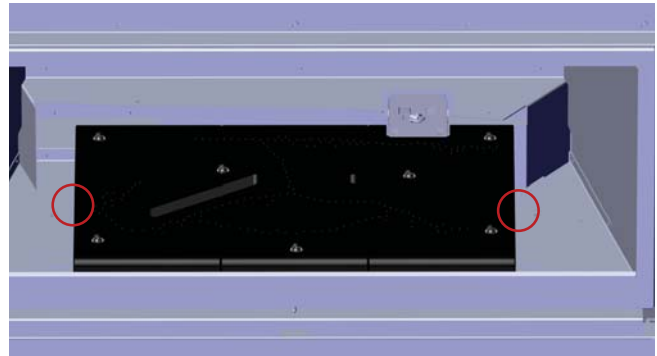


Diagram 2 - Burner Screw Locations

5. Remove rear log tray by removing 3 screws as shown in Diagram 3 below.

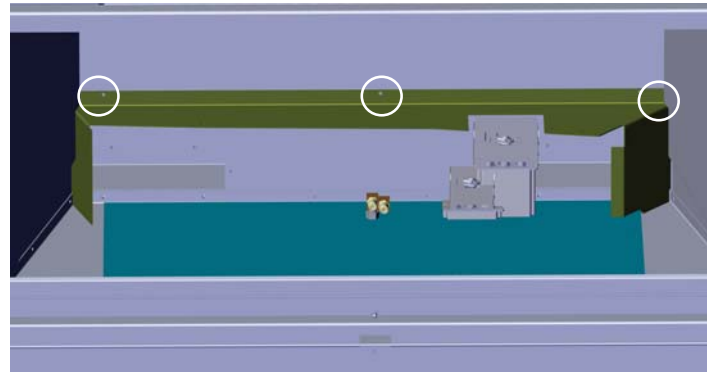


Diagram 3 - Rear Log Tray Screw Locations

### FOLLOWING STEPS FOR GF900C:

6. Remove glass crystals and stones, if installed.
7. Remove 3 screws in locations shown below to remove burner tray.

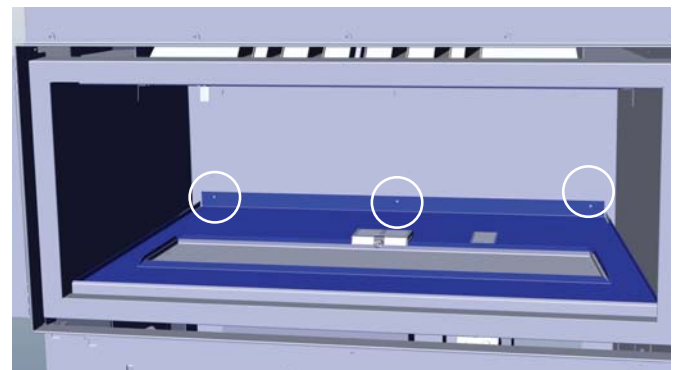


Diagram 4 - Burner Tray Screw Locations



# INSTALLATION

8. Remove burner by removing 2 screws at the back of the burner in locations shown below.

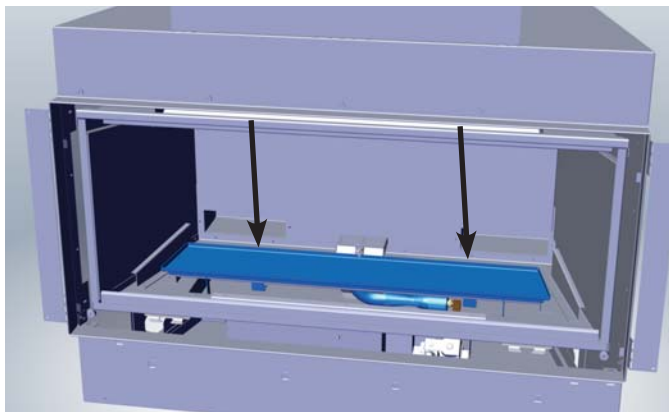


Diagram 5 - Burner Screw Locations

9. Pull off the pilot cap to expose the pilot orifice (see right).



Pilot Orifice

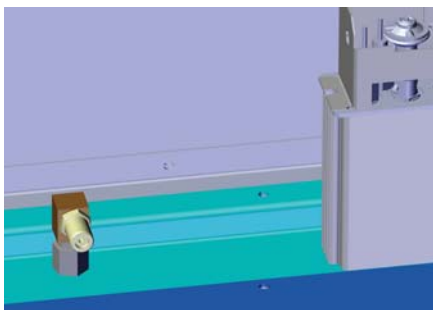
Pilot Cap

Diagram 4 - Remove Pilot Cap

10. Unscrew the pilot orifice with the Allen key and replace with the LPG pilot orifice in the kit and replace pilot cap (see right).



11. Remove burner orifice with a 1/2" wrench and discard. Use another wrench to hold on to the elbow below the orifice.



12. Reinstall new burner orifice LPG stamped #53 or ULPG burner orifice stamped #53 and tighten.

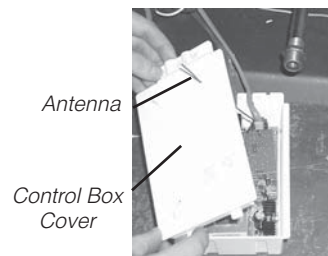
13. Replace the yellow "NG" label with the red "ULPG" label.

14. Carefully pull out the control box.

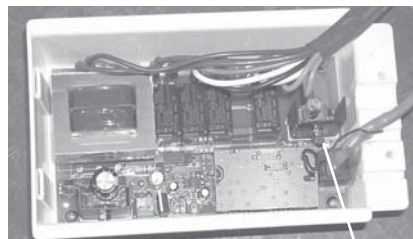
**NOTE:** The control box is held in place with velcro.

15. Remove the heat shield from the control box by removing the 2 screws.

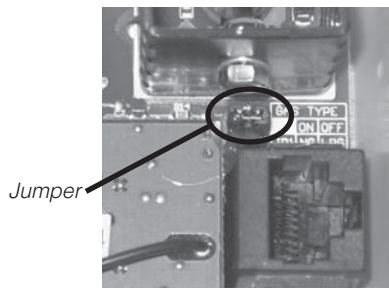
16. Remove the control box cover by undoing the 3 screws. Manoeuvre through antenna.



17. Remove the jumper using pliers.



Jumper Location



18. Reverse steps 17, 16, 15, 9, for both units. For GF900C reverse Steps 8-6 and Step 1. For GF900L reverse steps 5-1.

19. Turn on gas supply and plug in power cord.

## 20. Adjusting the Outlet Pressure

All the adjustments must be carried out in the following order:

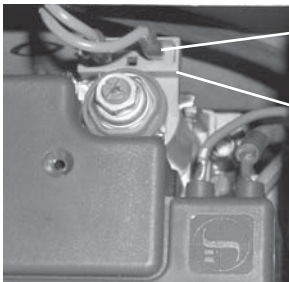
Remove the modulator plastic cap (A) using needle nose pliers.

**Maximum pressure:** Turn the unit ON to its highest input rating. Screw in the nut (B) to increase the outlet pressure and screw it out to decrease it. Use a 10 mm wrench.

**NOTE:** The outlet pressure must be set to maximum 2.49 kPa.

**Minimum pressure:** Remove one of the cables connected to the electric modulator. While holding the nut (B) with a wrench, screw in the screw (C) to increase the pressure and screw it out to decrease it. Use a screwdriver 6 x 1 blade.

**Installer Notice:**  
These instructions must be left  
with the appliance.



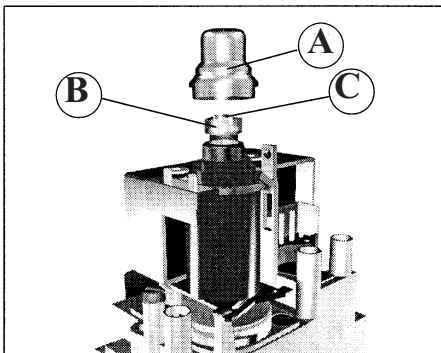
*Cable*  
*Electric Modulator*

After carrying out all adjustments, block the setting screws with paint, taking care not to obstruct the breather orifice of the pressure.

Put back the modulator plastic cap.

**WARNING:** To ensure the correct operation of the modulator it is necessary that the plastic cap (A) is returned to its original location.

**NOTE:** The outlet pressure must be set to minimum 1.6 kPa.



21. Turn on gas supply and plug in power cord.
22. At the end of all setting and adjustment operations, check electrical installation and gas leaks.
23. Check operation of flame control.
24. Check for proper flame appearance and glow on logs.

## LOG SET INSTALLATION

Read the instructions below carefully and refer to the images. If the logs are broken do not use the unit until they are replaced. Broken logs can interfere with pilot operation.

Improper positioning of the logs may create carbon build-up and can alter the unit's performance which is not covered under warranty.

Log kit # 466-930 contains the following pieces:

	Description
1	Log 1
1	Log 2
1	Log 3
1	Log 4
1	Log 5
1	Log 6
1	Log 7
1	Log 8
	Embers

1. Line up locators on Log 1 with corresponding locators on Log Tray as shown in Diagram 2.

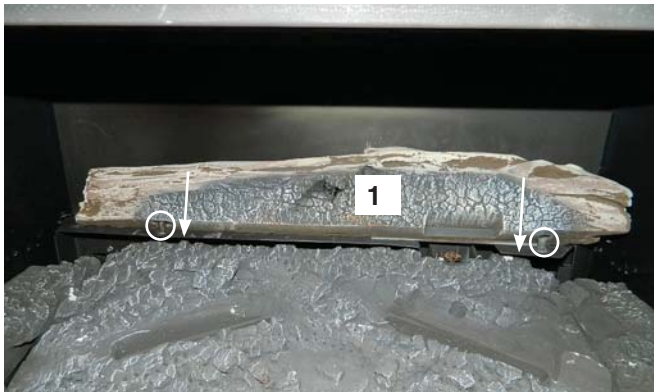


Diagram 2

2. Line up locators on Log 2 with corresponding locators on Ceramic Log Burner as shown in Diagram 3.



Diagram 3

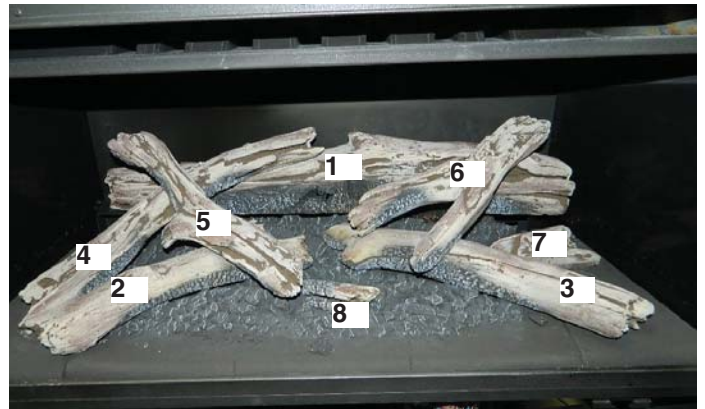


Diagram 1  
Completed Install and Log Identification

3. Line up locator on Log 3 with corresponding locator on Ceramic Log Burner as shown in Diagrams 4 and 5.

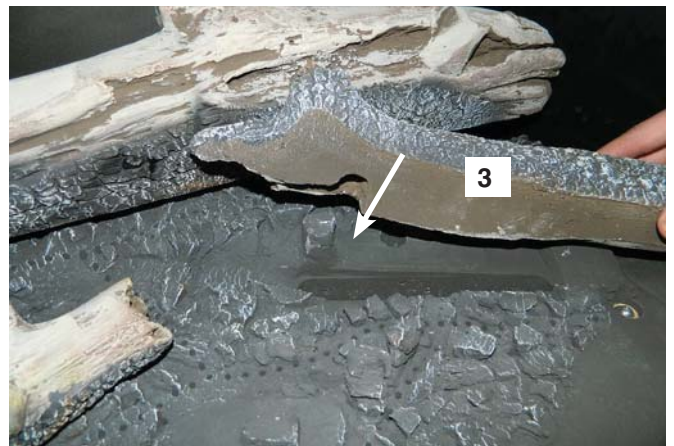


Diagram 4



Diagram 5



4. Rest Log 4 on Log 1 and Ceramic Log Burner as shown in Diagram 6.

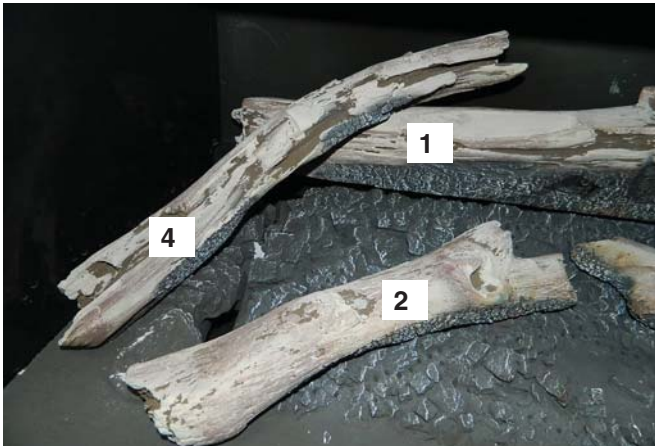


Diagram 6

5. Log 4 final position shown in Diagram 7.

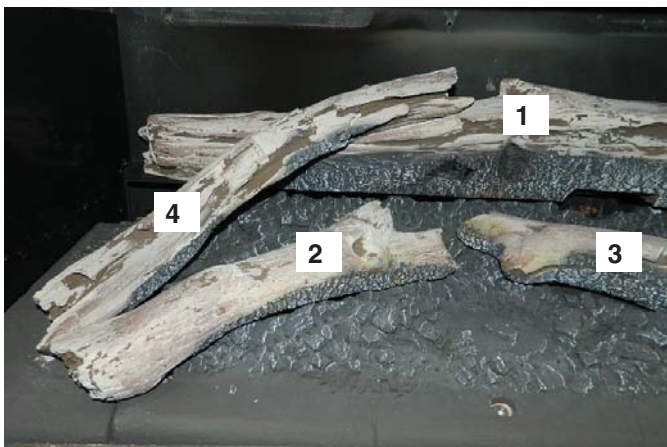


Diagram 7

6. Log 5 final position shown in Diagram 8.

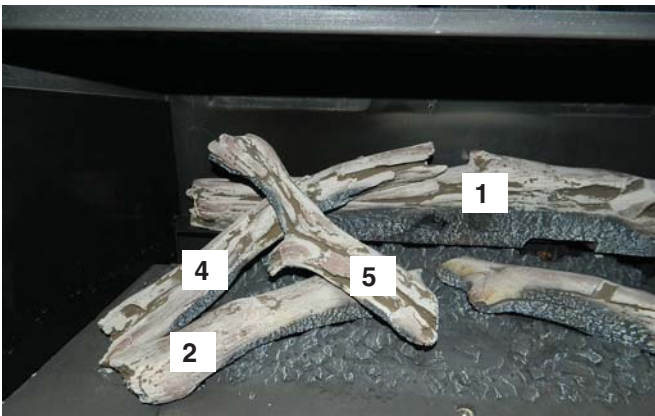


Diagram 8

7. Position Log 6 to rest on Log 1 and Log 3 as shown in Diagram 9.



Diagram 9

8. Line up locator on bottom of Log 7 with locator on Ceramic Log Burner as shown in Diagram 10.



Diagram 10

6. Log 8 in final position shown in Diagram 11.  
Place supplied embers over burner screw holes in locations shown below.

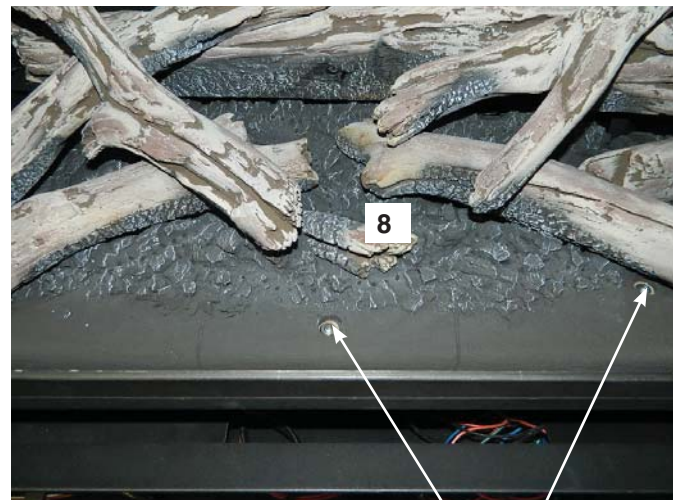


Diagram 11 - Log 8 and ember locations

# INSTALLATION

## FRONT TRIM REMOVAL / INSTALLATION

1. Remove faceplate, inner door frame, and glass door if already installed - see instructions in this manual.
2. Remove two (2) screws in locations shown below to remove front trim piece.
3. Reverse steps to reinstall.

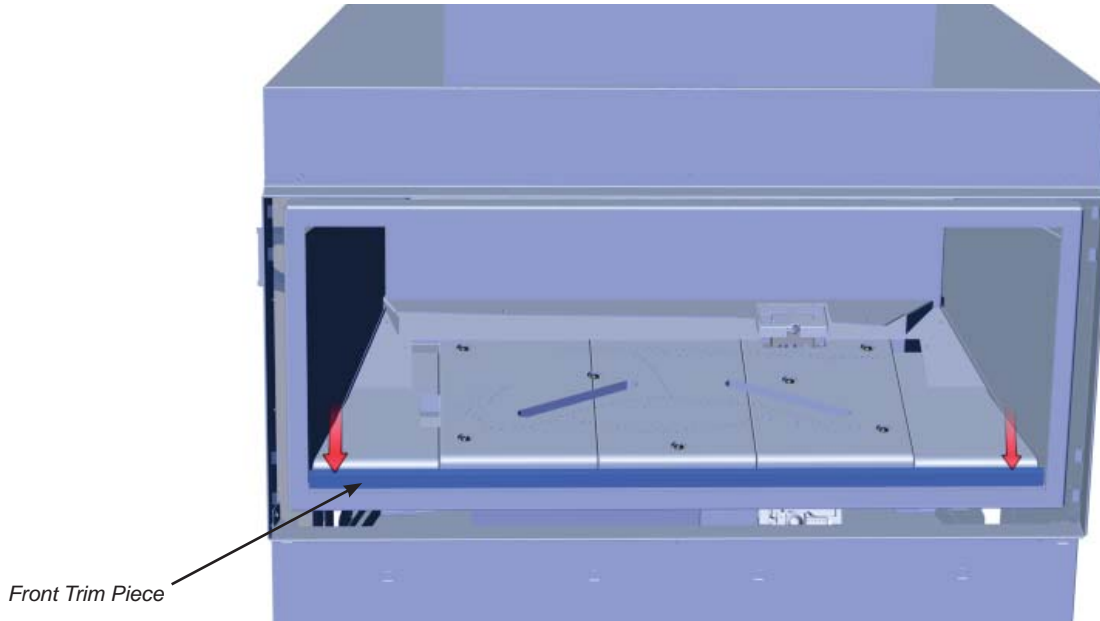
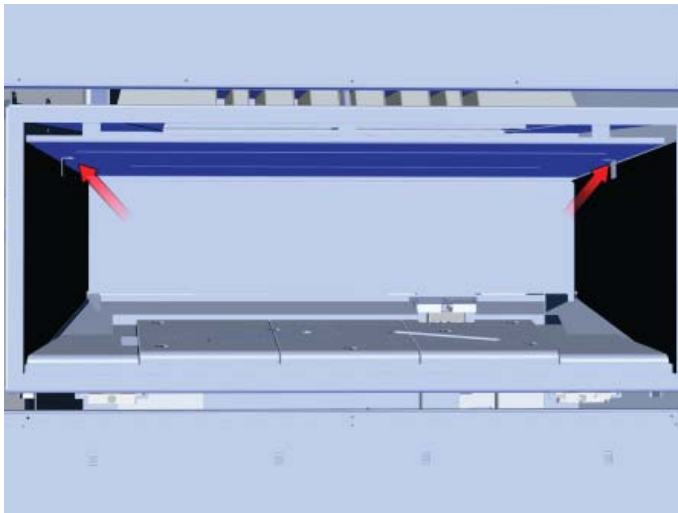


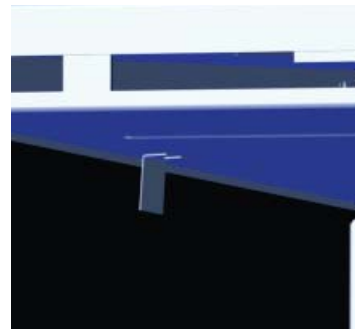
Diagram 1 - Front Trim Screw Locations

## INNER PANEL REMOVAL / INSTALLATION

1. Remove front trim piece - see instructions above.
2. Remove two (2) screws in locations shown below to release panel clips.

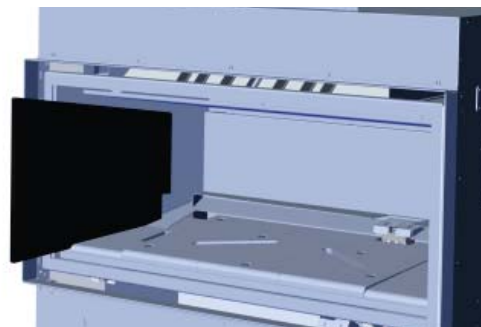


Panel Clip Screw Locations



Panel Clip

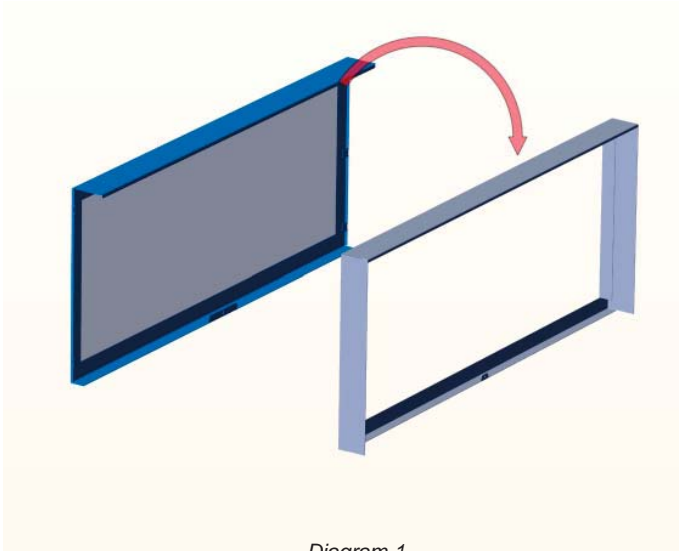
3. Remove panels by sliding out.



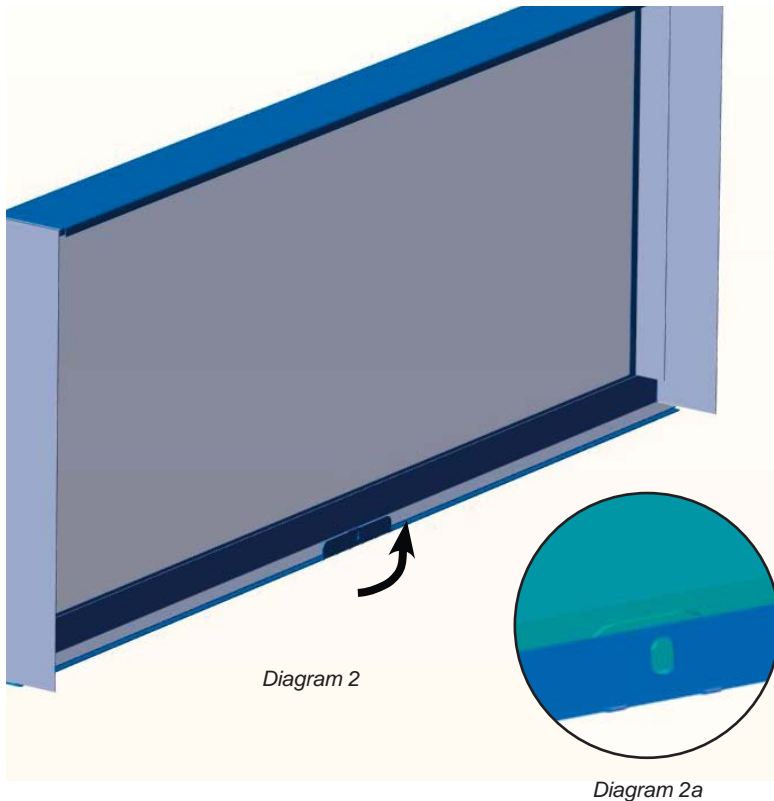
4. Reverse steps to reinstall.

## SCREEN & INNER DOOR FRAME INSTALLATION

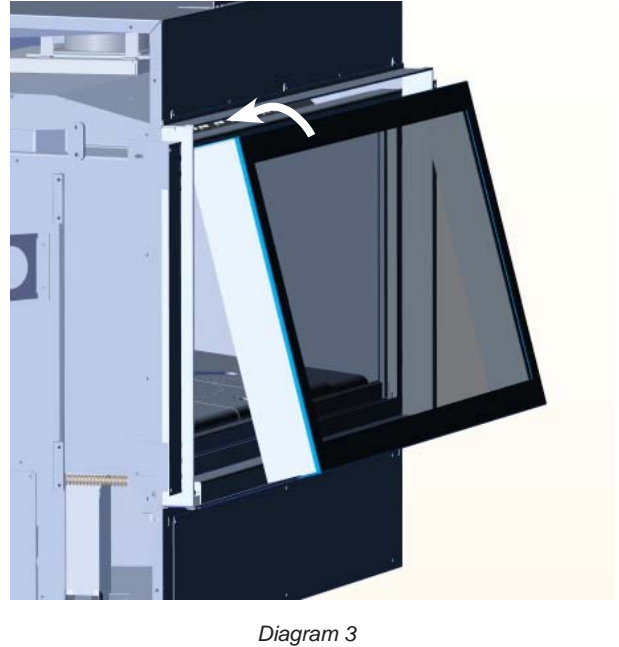
1. Hang Screen Mesh over Inner Door Frame as shown in Diagram 1.



2. Bend Tab on Screen Mesh to 90° as shown in Diagram 2. Secure to Inner Door Frame with one (1) screw as shown in Diagram 2a.



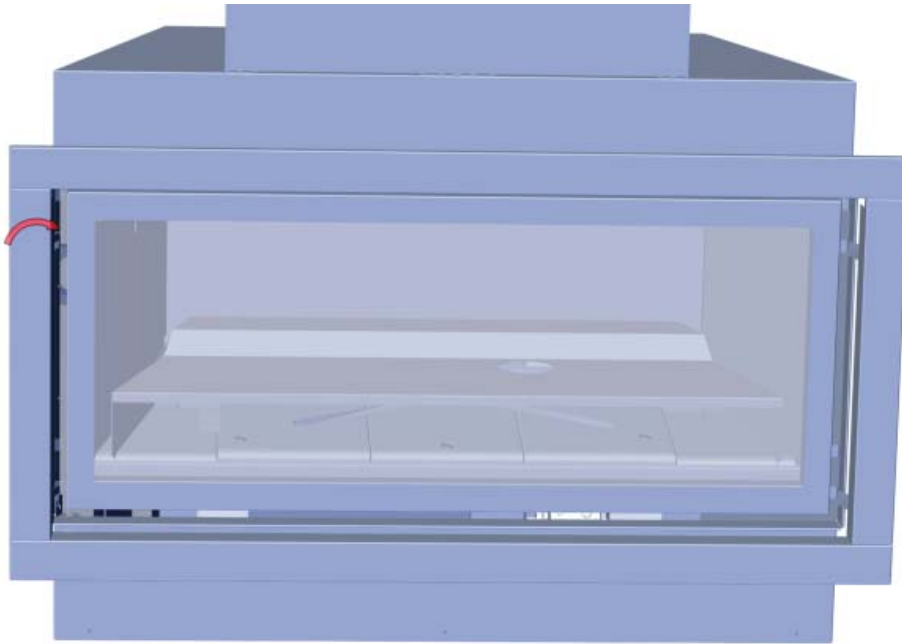
3. Install Screen and Inner Door Frame to unit but hanging over glass door frame as shown in Diagram 3. Lower gently once in position over glass door frame.



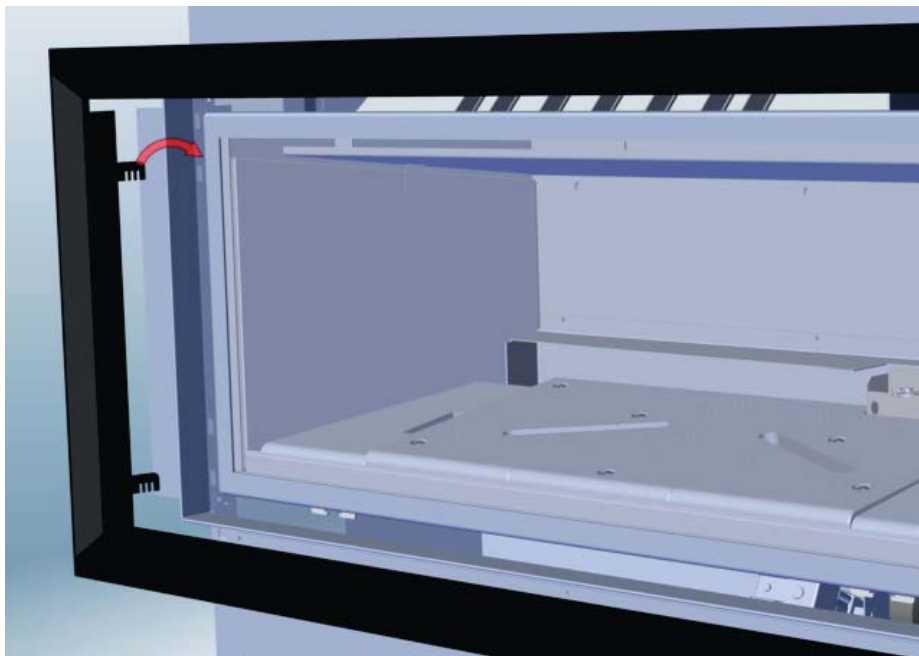
## FACEPLATE INSTALLATION

Install the fascia to the unit by hooking the left and right side mounting brackets into the mounting slots at the side of the firebox as shown below. It is recommended that you use the first mounting slot (the one closest to the door frame overlay) out of the 3 so that the faceplate and door frame overlay are flush with one another. See diagram below.

NOTE: There are 3 mounting slots available, this is to accommodate any finishing that protrudes slightly beyond the faceplate.



*Diagram 1 - Contemporary Faceplate Install*



*Diagram 2 - Contour Faceplate Install*

**Warning:** Turn off the unit by way of the wall switch or remote. Allow unit to cool at least 10 min. - prior to removing the faceplate.



## OPERATING INSTRUCTIONS

Before operating this appliance, proceed through the following check list.

- 1) Read and understand these Instructions before operating this appliance.
- 2) Check to see that all wiring is correct and enclosed to prevent possible shock.
- 3) Check to ensure there are no gas leaks.
- 4) Make sure the glass door is in place. Never operate the appliance with the door glass removed.
- 5) Verify that all flueing and the cap is unobstructed.
- 6) Verify log placement.
- 7) The unit should never be turned off and on again without a minimum of a 60 second wait.
- 8) When lighting the appliance, the inside of the glass may fog up. This will burn off after a few minutes of operation.

## LIGHTING INSTRUCTIONS

- 1) Plug the power cord into a power outlet.
- 2) Press and release the ON/OFF switch once to start the unit. The LED will be lit. ON/OFF function can be controlled by either Remote Control Wall Mount or ON/OFF Control on Unit.
- 3) After approximately 3 seconds the spark ignition system will spark for 25 seconds to light the main burner.
- 4) If the main burner does not light, repeat step 2 to restart the unit.

## SHUTDOWN INSTRUCTIONS

- 1) Press the ON/OFF switch once.
- 2) The LED will flash.
- 3) Turn off all electric power to the appliance if service is to be performed.

## FIRST FIRE

The **FIRST FIRE** in your heater is part of the paint curing process. To ensure that the paint is properly cured, it is recommended that you burn your fireplace for at least four (4) hours the first time you use it.

When first operated, the unit will release an odour caused by the curing of the paint and the burning off of any oils remaining from manufacturing. Smoke detectors in the house may go off at this time. Open a few windows to ventilate the room for a couple of hours. The glass may require cleaning.

**NOTE:** The main burner will always start on "HIGH" and resume it's last setting after 20 seconds of operation.

**NOTE:** When the glass is cold and the appliance is lit, it may cause condensation and fog the glass. This condensation is normal and will disappear in a few minutes as the glass heats up.

**DO NOT ATTEMPT TO CLEAN THE GLASS WHILE IT IS STILL HOT!**

**DO NOT BURN THE APPLIANCE WITHOUT THE GLASS FRONT IN PLACE.**

## REMOTE CONTROL

Use the Regency Remote Control Kit approved for this unit. Use of other systems may void your warranty.

The remote control kit comes with a hand held transmitter and a wall mounting plate.

- 1) Choose a convenient location to mount the hand held transmitter, protection from extreme heat is very important.

By using the wall mounting plate to house the transmitter, the remote can also be used as a wall thermostat.



## SUMMARY OF CONTROLS

### On/Off Button

If the unit is switched off, pressing and releasing this button once will switch the unit on. The unit will resume its last settings.

If the unit is switched on, pressing and releasing this button once will switch the unit off.

### Flame:

**Increase** - If the unit is switched on, pressing and releasing the flame plus (+) button once will increase the flame height to the next available high setting.

**Decrease** - If the unit is switched on, pressing and releasing the flame minus (-) button once will decrease the flame height to the next available low setting.

### Fan:

**Increase** - If the unit is switched on, pressing and releasing the fan plus (+) button once will increase the fan speed to the next available high setting.

**Decrease** - If the unit is switched on, pressing and releasing the fan minus (-) button once will decrease the fan speed to the next available low setting.

## FAN OPERATION

Set the fan speed on the control panel at the top rear of the unit to adjust to the desired speed.

Pressing and releasing the plus (+) FAN button will change the fan speed as follows:

LOW -> MEDIUM -> HIGH -> .

Pressing and releasing the minus (-) FAN button will be the reverse of the above.

**Fan must be running at all times when the unit is in operation.**

## ADJUSTING FLAME HEIGHT

There are six flame settings that can be adjusted by pressing and releasing the plus (+) and minus (-) FLAME button.

## COPY OF LIGHTING PLATE INSTRUCTIONS

### FOR YOUR SAFETY READ BEFORE LIGHTING

This appliance must be installed in accordance with local codes, if any; if not, follow the current CAN1-B149/ANSI Z 223.1 (Australia: AS5601-2004, New Zealand: NZS 5261/ NZS5266)

**WARNING:** If you do not follow these instructions exactly, a fire or explosion may result causing property damage, personal injury or loss of life. Improper installation, adjustment, alteration, service or maintenance can cause injury or property damage. Refer to the owner's information manual provided with this appliance. For assistance or additional information consult a qualified installer, service agency or gas supplier.

A) BEFORE LIGHTING smell all around the appliance area for gas. Be sure to smell next to the floor because some gas is heavier than air and will settle on the floor.

#### WHAT TO DO IF YOU SMELL GAS

- Do not try to light any appliance
- Do not touch any electric switch, do not use any phone in your building
- Immediately call your gas supplier from a neighbors phone. Follow the gas supplier's instructions.
- If you cannot reach your gas supplier, call the fire department.

B) Do not use this appliance if any part has been under water. Immediately call a qualified service technician to inspect the appliance and to replace any part of the control system and any gas control which has been under water.

This appliance needs fresh air for safe operation and must be installed so there are provisions for adequate combustion and ventilation air.

**CAUTION:** Hot while in operation. Do not touch. Severe Burns may result. Due to high surface temperatures keep children, clothing and furniture, gasoline and other liquids having flammable vapors away. Keep burner and control compartment clean. See installation and operating instructions accompanying appliance.

### LIGHTING INSTRUCTIONS

**STOP!** Read the safety information above on this label.

- 1) Plug the power cord into a power outlet.
- 2) Press and release the ON/OFF button once to start the unit.  
  
\*ON/OFF function may be controlled by either Remote Wall Mount Control or ON/OFF control on the Unit.
- 3) After approximately 3 seconds the spark ignition system will spark for 25 seconds to light the main burner.
- 4) If the main burner does not light, check the gas and reset the unit.

### TO TURN OFF GAS APPLIANCE

- 1) Press the ON/OFF button once.
- 2) Turn off all electric power to the unit if service is to be performed.

**DO NOT REMOVE THIS INSTRUCTION PLATE**

919-130

## NORMAL OPERATING SOUNDS OF GAS APPLIANCES

It is possible that you will hear some sounds from your gas appliance. This is perfectly normal due to the fact that there are various gauges and types of steel used within your appliance. Listed below are some examples. All are **normal operating sounds** and should not be considered as defects in your appliance.

#### Blower:

Regency gas appliances use high tech blowers to push heated air farther into the room. It is not unusual for the fan to make a "whirring" sound when ON. This sound will increase or decrease in volume depending on the speed setting of your fan speed control.

#### Burner Tray:

The burner tray is positioned directly under the burner tube(s) and logs and is made of a different gauge material from the rest of the firebox and body. Therefore, the varying thicknesses of steel will expand and contract at slightly different rates which can cause "ticking" and "cracking" sounds. You should also be aware that as there are temperature changes within the unit these sounds will likely re-occur. Again, this is normal for steel fireboxes.

#### Gas Control Valve:

As the gas control valve turns ON and OFF, a dull clicking sound may be audible, this is normal operation of a gas regulator or valve.

#### Unit Body/Firebox:

Different types and thicknesses of steel will expand and contract at different rates resulting in some "cracking" and "ticking" sounds will be heard throughout the cycling process.

## RESETTING THE UNIT

If the appliance goes to 'lockout', the system will have to be reset by depressing the reset button - located on the right side of the unit by glass frame.

**\*Important:** Wait at least 5 min for any unburned gas to clear before resetting the appliance.

- 1) Open the bottom louver on the unit.
- 2) Press and release the reset button - once. The button is located near the gas valve.
- 3) Wait for approximately 3 seconds - the pilot sparks can be heard and seen. It will take approximately 2 to 3 seconds for the flame to be lit.

**NOTE:** Wait 5 minutes between reset attempts.

**NOTE:** If unit fails to light after 25 seconds; wait 5 min, then manually reset using red button on the right hand side below glass frame.

**WARNING:**  
DO NOT SPRAY AEROSOLS IN THE VICINITY OF THIS APPLIANCE WHILE IN OPERATION.



"Appliances incorporating a live fuel effect (designed to operate with blue flames with slight yellow tips) may exhibit slight carbon deposition."

## FAN SERVICE

**PRIOR TO SERVICING THE FAN, ENSURE UNIT HAS COOLED TO ROOM TEMPERATURE, ALL POWER IS DISCONNECTED AND GAS SUPPLY IT TURNED OFF.**

1. Remove faceplate, inner frame, glass door, front trim piece and inner panels - see instructions in this manual.
2. Remove logs.
3. Remove burner side panels by lifting out as shown in Diagram 1.

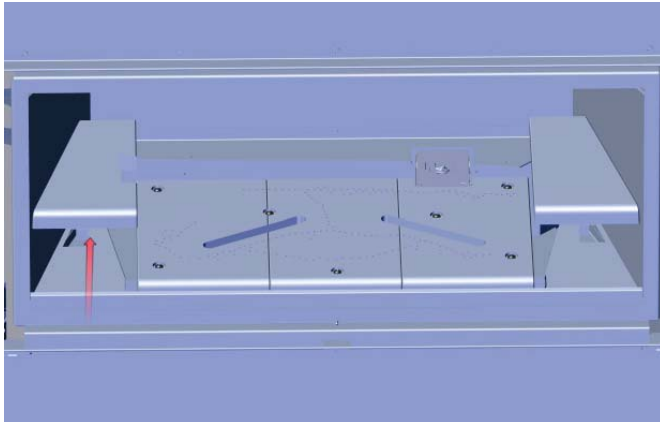


Diagram 1 - Burner Side Panels

4. Remove burner by removing 2 screws in locations shown below.

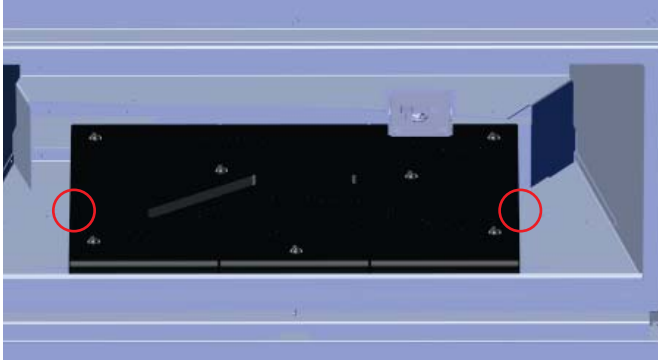


Diagram 2 - Burner Screw Locations

5. Remove rear log tray by removing 3 screws as shown in Diagram 3 below.

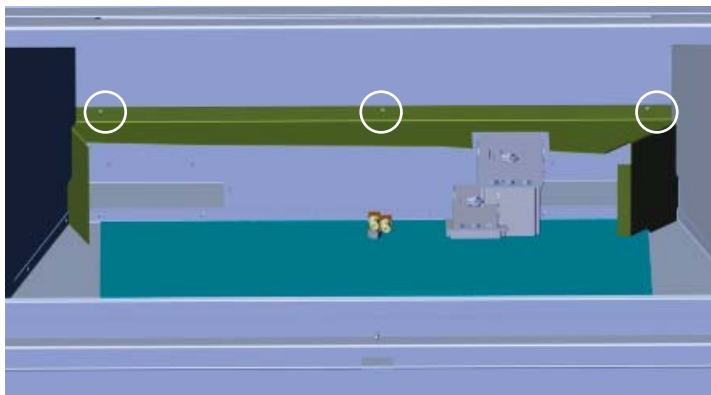


Diagram 3 - Log Tray screws

6. Remove access panel by removing eight(8) screws in locations shown in Diagram 4.

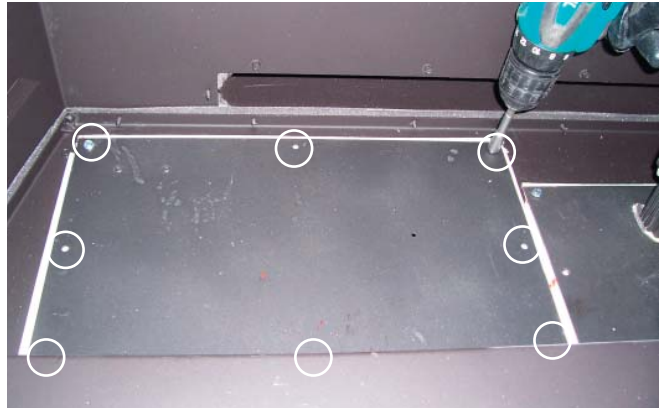


Diagram 4 - Access Tray screws

7. Loosen three (3) screws to remove heat deflector shown in Diagram 5.

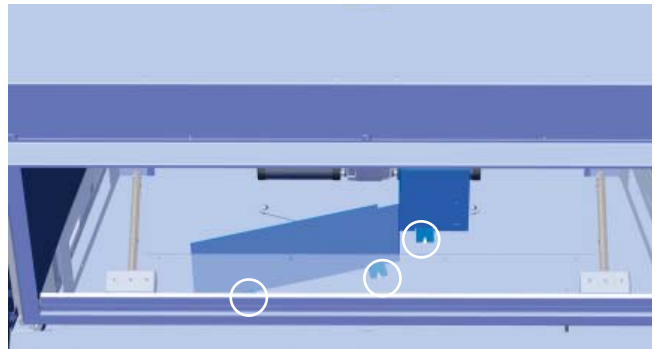


Diagram 5 - Heat Deflector Screws

8. Remove two (2) screws to remove fan shown in Diagram 6.

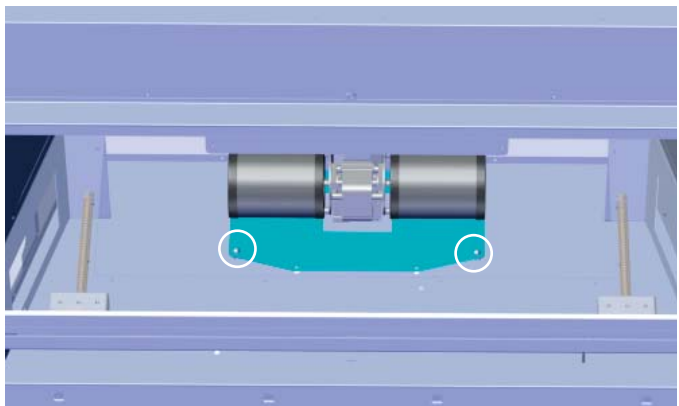


Diagram 6 - Fan Screws

9. Reverse steps to reinstall fan.

## MAINTENANCE INSTRUCTIONS

- 1) Always turn off the gas valve before cleaning. For relighting, refer to lighting instructions. Keep the burner and control compartment clean by brushing and vacuuming at least once a year.
  - 2) Clean appliance and door with a damp cloth (never when unit is hot). Never use an abrasive cleaner. The glass should be cleaned with a gas fireplace glass cleaner. The glass should be cleaned when it starts looking cloudy.
  - 3) The faceplate is finished in a heat resistant paint and should only be refinished with heat resistant paint. Regency® uses StoveBright Paint - Metallic Black #6309.
- Note: Faceplates and inner panels made from stainless steel will naturally change color over time.**
- 4) Make a periodic check of burner for proper position and condition. Visually check the flame of the burner periodically, making sure the flames are steady; not lifting or floating. If there is a problem, call a qualified service person.
  - 5) The appliance and venting system must be inspected before use, and at least annually, by a qualified field service person, to ensure that the flow of combustion and ventilation air is not obstructed.

**Note: Never operate the appliance without the glass properly secured in place.**

- 6) Do not use this appliance if any part has been under water. Immediately call a qualified service technician to inspect the appliance and to replace any part of the control system and any gas control which has been under water.
- 7) In the event this appliance has been serviced check that the vent-air system has been properly resealed & reinstalled in accordance with the manufacturer's instructions.
- 8) Verify operation after servicing.

## GENERAL VENT MAINTENANCE

Conduct an inspection of the venting system semi-annually. Recommended areas to inspect as follows:

- 1) Check the Venting System for corrosion in areas that are exposed to the elements. These will appear as rust spots or streaks, and in extreme cases, holes. These components should be replaced immediately.
- 2) Remove the Cap, and shine a flashlight down the Vent. Remove any bird nests, or other foreign material.
- 3) Check for evidences of excessive condensation, such as water droplets forming in the inner liner, and subsequently dripping out the joints, Continuous condensation can cause corrosion of caps, pipe, and fittings. It may be caused by having excessive lateral runs, too many elbows, and exterior portions of the system being exposed to cold weather.
- 4) Inspect joints, to verify that no pipe sections or fittings have been disturbed, and consequently loosened. Also check mechanical supports such as Wall Straps, or plumbers' tape for rigidity.

## GLASS GASKET

If the glass gasket requires replacement use a tadpole glass gasket (Part # 936-157).

## GLASS DOOR

Your Regency® fireplace is supplied with high temperature 5mm-Ceramic glass. If your glass requires cleaning, we recommend using an approved glass cleaner available at all authorized dealers. Do not use abrasive materials.

### CAUTION & WARNINGS:

- \* Do not clean when the glass is hot.
- \* The use of substitute glass will void all product warranties.
- \* Care must be taken to avoid breakage of the glass.
- \* Do not strike or abuse the glass.
- \* Do not operate this fireplace without the glass front or with a cracked or broken glass front.
- \* Wear gloves when removing damaged or broken glass.
- \* Replacement of the glass panel(s) should be done by a licensed or qualified service person.

### GLASS REPLACEMENT

In the event that you break your glass by impact, purchase your replacement from an authorized Regency® dealer only.

Replacement glass is shipped already installed into the door frame.

**CAUTION: Wear gloves when removing damaged or broken glass.**

**WARNING: Do not operate the appliance with the glass panels removed, cracked or broken. Replacement of the glass panels should be done by a licensed or qualified service person.**

**All maintenance must be carried out by a licensed qualified service person**

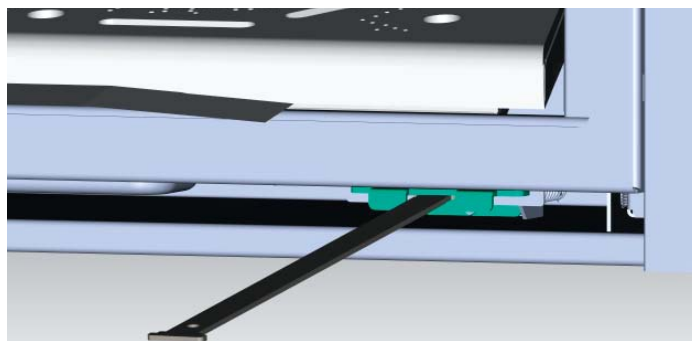
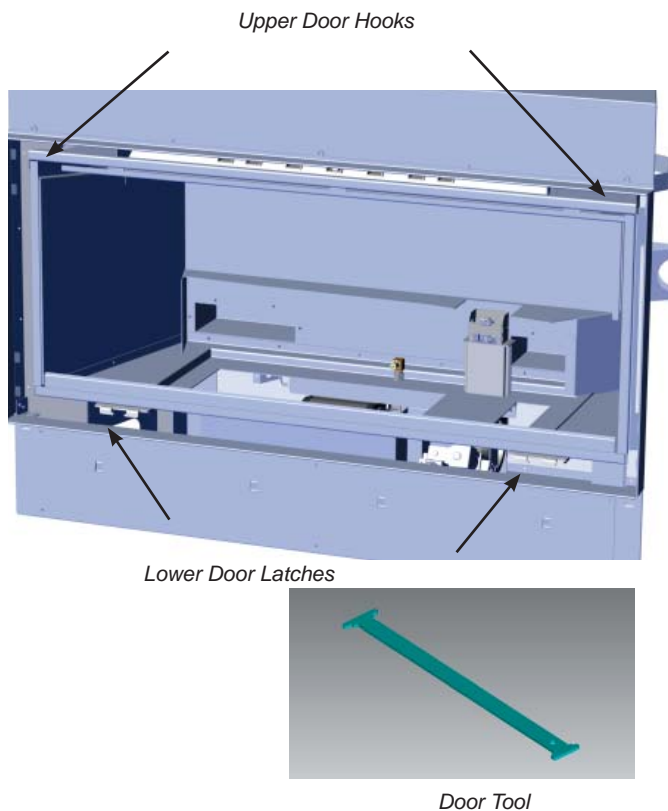
**IT IS CRITICAL THAT THIS APPLIANCE IS EARTHED AND THAT THE ACTIVE AND NEUTRAL ARE NOT REVERSED**

UNIT OPERATION	ACTION REQUIRED
No gas to the burner	The gas valve should open at the same time the ignition commences sparking. If there is no gas to the burner, turn unit off. Connect manometer to inlet test point on the gas valve and check static pressure. If O.K. turn unit on and check there is no significant drop in the pressure. If O.K. connect manometer to outlet test point of the gas valve, turn unit on and check outlet pressure is present whilst the spark is being generated.
Unit sparks, main burner ignites after 5 seconds spark continues even though main flame is present	This can be caused by incorrect polarity. Check that the wall socket to the appliance has correct polarity. If an extension lead is fitted check polarity of the lead. Check the polarity of the supply lead to the appliance. <b>NOTE: The above checks must be carried out by a qualified person</b>
Convection fan operates but no ignition after approx 1 minute	Ignition module is in lockout, reset module. Then turn on again. <b>NOTE: On initial light up this may occur a number of times until any residual air is purged from the gas line through the burner system. It is essential the required waiting time as stated in the manual is observed prior to attempting re ignition</b>
After resetting ignition module, unit still not operating after 1 minute	Turn burner switch to "ON", fans will operate within 5 secs, listen for audible "click" first from ignition module, then from pressure switch. If no "click" heard contact service agent
Confirm spark is produced when heater is turned on	The ignition electrode should spark at the same time the gas control solenoid valve opens(after approx 1minute purge time). At this point the spark electrode will activate for up to 5 seconds. A blue spark can be seen when the heater ignition process starts, Ensure the spark is present between the electrode and burner.
If no spark is produced	Check pressure switch is operating (there should be an audible click when the pressure switch makes contact). Providing the pressure switch has continuity and convection fan is creating pressure,the electrode should spark and the gas valve open within 5 seconds of the completion of the purge cycle.

## GLASS DOOR INSTALLATION

**WARNING: Do not operate the appliance with the glass panels removed, cracked or broken. Replacement of the glass panels should be done by a licensed or qualified service person.**

1. Insert the door tool into the lower door latch.



2. Pull forward until the lower door latch is disengaged from the door frame.
3. Push downward until the Lower Door Latch is below the Door Frame.
4. Release the lower door latch until it reaches its resting point.
5. Remove the door tool and repeat steps 1-5 on the other lower door latch.
6. Pull the bottom of the door towards you until the door is angled away from the firebox by about 30°. Lift the door up and over the upper door hooks.
7. To install the glass door - reverse steps.



## VALVE TRAY REPLACEMENT

**PRIOR TO VALVE TRAY REPLACEMENT, ENSURE UNIT HAS COOLED TO ROOM TEMPERATURE, ALL POWER IS DISCONNECTED AND GAS SUPPLY IT TURNED OFF.**

1. Remove faceplate, inner frame, glass door, front trim piece and inner panels - see instructions in this manual.
2. Remove logs.
3. Remove burner side panels by lifting out as shown in Diagram 1.

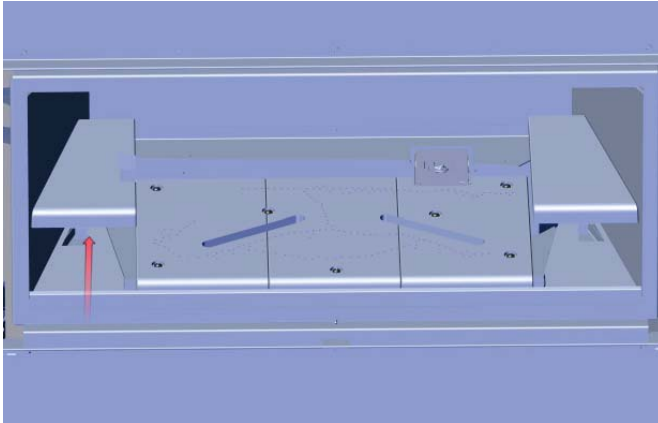


Diagram 1 - Burner Side Panels

4. Remove burner by removing 2 screws in locations shown below.

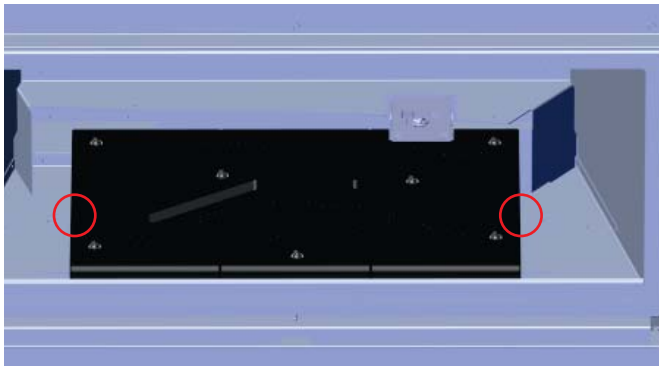


Diagram 2 - Burner Screw Locations

5. Remove rear log tray by removing 3 screws as shown in Diagram 3 below.

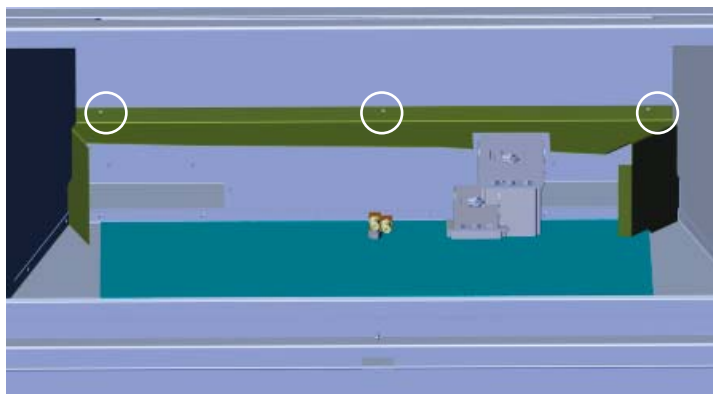


Diagram 3 - Log Tray screws

6. Remove burner by removing 14 screws in locations shown below.

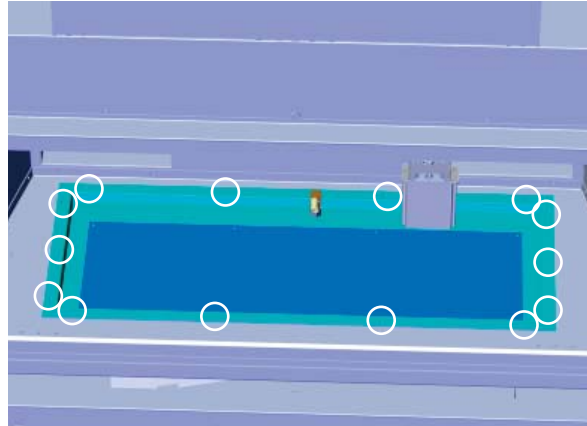


Diagram 4 - Valve Tray Screw Locations

7. Lift out valve tray.

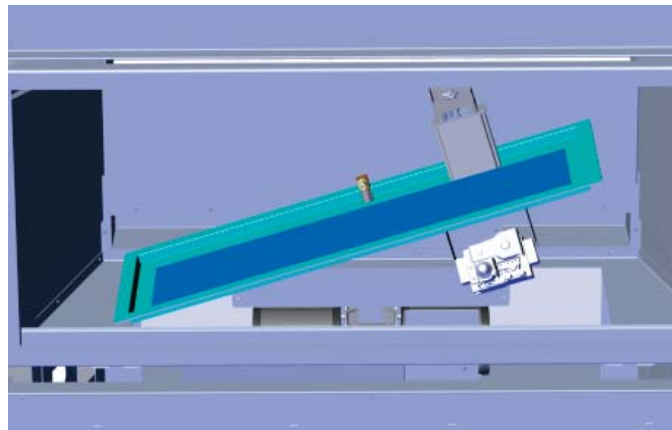


Diagram 5 - Valve Tray Removal

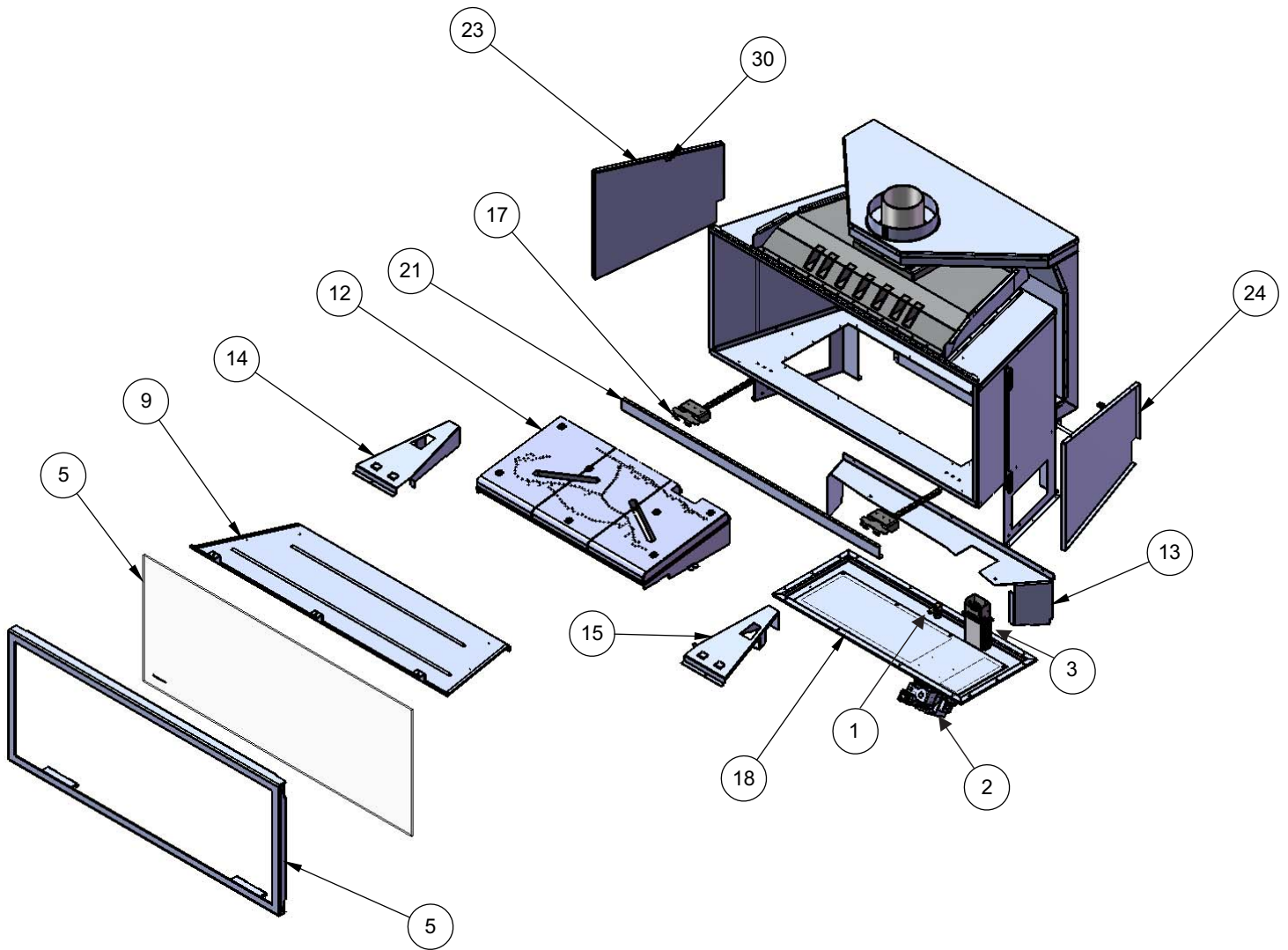
8. Replace valve tray and reverse steps.

## MAIN ASSEMBLY

Part #	Description	Part #	Description
1	904-644 Orifice - NG #35	17	396-037 Bottom Door Latch
	904-345 Orifice - LP #53	18	466-576/P GF-900 Valve Assy LP
2	910-080 Sigma Valve		466-574/P GF-900 Valve Assy NG
3	910-936 Pilot Assy	21	466-044 Front deflector
	911-101 Control box ECS III		466-516 GF-900 Heat exchanger
	910-922 Sit Ignition Module	23	466-060 Left Panel
5	940-373/P Glass Door Assy	24	466-061 Right Panel
	466-014 Door Frame	25	466-071 Left ceramic filler
8	466-019 Fan Air Top Deflector LH	26	466-072 Right ceramic filler
9	466-021 Baffle	30	476-062 Panel Clip
12	466-530 Ceramic Burner Assy	31	Rear Panel
13	466-032 Rear Log Tray	*	910-037 Conversion Kit LPG/ULPG
14	466-033 Left Panel Bracket	*	911-100 Remote Control
15	466-034 Right Panel Bracket	*	911-101 Control Box
16	396-038 Bottom Door Latch Retainer	*	911-112 Pressure switch
		*	911-113 Switch On/Off w/Cat 5 cable
		*	910-155/P Blower Motor
		*	466-930 Log Set
		*	910-906 Red Reset Button
		*	466-063 Valve mounting gasket
		*	466-064 Access plate gasket
		*	Not Shown
			919-116 Manual

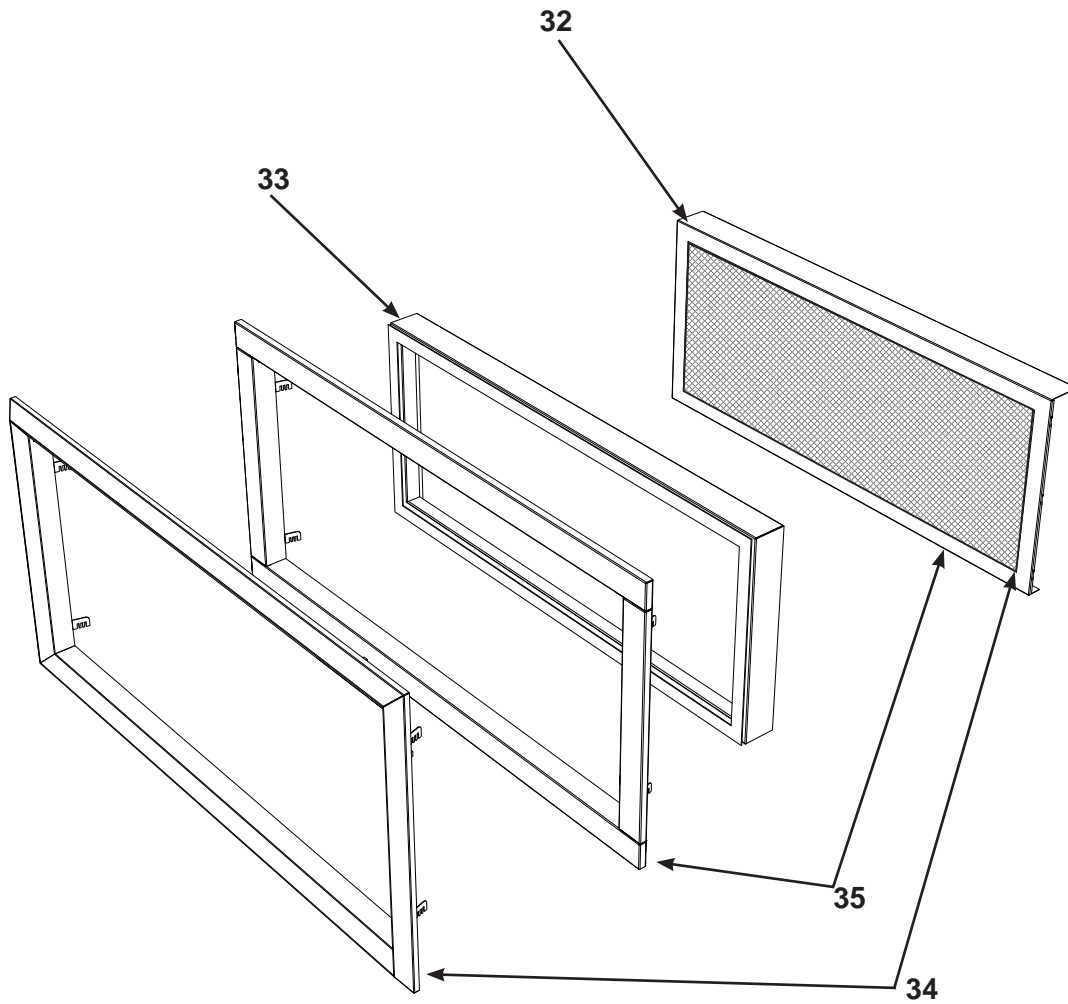


MAIN ASSEMBLY



**ACCESSORIES**

<b>Part #</b>	<b>Description</b>
32 466-922	Inner door frame - Black w/ Screen
466-932	Inner door frame - Stainless w/ Screen
33 466-543	Door Frame Overlay - Black
34 466-924	Fascia and Door Frame Black w/Screen
35 466-936	Fascia and Door Frame Stainless Steel w/Screen



Regency® Fireplace Products are designed with reliability and simplicity in mind. In addition, our internal Quality Assurance Team carefully inspects each unit thoroughly before it leaves our door. Regency® is pleased to extend this limited lifetime warranty to the original purchaser of a Regency® Product.

**The Warranty:** Lifetime

Covered under the agreement are the following components: The combustion chamber, heat exchanger, burner tubes/pans, logs, glass crystals, ceramic spa stones, pebbles, brick panels and gold plating (against defective manufacture only) are covered under the Limited Lifetime Warranty for five (5) years for parts and labour and parts only thereafter.

External casting, surrounds and grills are covered against cracks and warps resulting from manufacturer defects, parts and labour for one (1) year from the date of purchase and parts only thereafter.

Special Finishes - One year on stainless steel panels, nickel overlays, nickel faceplates, brushed nickel and antique copper full screens and doors. You can expect some changes in color as the product "ages" with constant heating and cooling. FPI warrants the product for any manufacturing defects on the original product. However, the manufacturers warranty does not cover changing colors and marks, ie. finger prints, etc applied after the purchase of the product. Damage from the use of abrasive cleaners is not covered by warranty.

Electrical components such as fans, switches, ignition modules, wiring, thermodiscs, remote control, thermopiles, thermocouples and gas valves are covered for one year for parts and labour from the date of purchase.

The warranty on brass parts is for one year, no labour. The brass is not warranted against tarnishing.

Repair/replacement parts purchased by the consumer from Regency® after the original coverage has expired on the unit will carry a 90 day warranty valid with a receipt only. Any item shown to be defective will be repaired or replaced at our discretion. No labour coverage is included with these parts.

**Conditions:**

All installations must be performed by a qualified gas fitter and installed according to all applicable local and national codes. Also, all service work must be carried out by a qualified gas service person provided by the selling dealer. It is the responsibility of the installer to ensure that the appliance is firing as per rating plate. Any part or parts of this unit which in our judgement show evidence of such defect will be repaired or replaced at Regency®'s option, through an accredited distributor or agent provided that the defective part be returned to the distributor or agent **Transportation Prepaid**, if requested. In areas where there is not an approved service agent or the closest approved service agent is situated more than thirty (30) kilometres from the installation, Regency is not obliged to arrange warranty repairs and travel and/or additional labour charges will apply.

Porcelain/Enamel - Absolute perfection is neither guaranteed nor commercially possible. Any chips must be reported and inspected by an authorised dealer within three days of installation. Reported damage after this time will be subject to rejection.

It is the general practice of Regency® to charge for larger, higher priced replacement parts and issue credit once the replaced component has been returned to Regency and evaluated for manufacturer defect.

At all time Regency reserves the right to inspect product in the field which is claimed to be defective.

All claims must be submitted to Regency® by authorised selling dealers. It is essential that all submitted claims provide all of the necessary information including customer name, purchase date, serial #, type of unit, problem, and part or parts requested, without this information the warranty will be invalid.

**Exclusions:**

This limited Lifetime Warranty does not extend to or include paint, door or glass gasketing or trim. It does not cover installation and operational related problems such as over-firing, downdrafts or spillage caused by environmental conditions, nearby trees, buildings, hilltops, mountains, inadequate flueing or ventilation, excessive offsets, negative air pressures caused by insufficient make up air, mechanical systems such as furnaces, fans, clothes dryers etc.

Embers, rockwool, gaskets, door handles and paint are not covered under the terms of this warranty policy.

Regency® will not be liable for acts of God, or acts of terrorism, which cause malfunction of the appliance.

Performance problems due to operator error will not be covered by this warranty policy.

The warranty does not extend to any part or parts which show evidence of misuse or abuse, neglect, accident, lack of maintenance, or improper installation.

Products made by other manufacturers and used in conjunction with the operation of this appliance without authorisation from Regency®, may nullify your warranty on this product.

Regency shall in no event be liable for any special, indirect consequential damages of any nature whatsoever which are in excess of the original purchase price of the product. Any alteration to the unit which causes sooting or carboning that results in damage to the exterior facia is not the responsibility of Regency Fireplace Products.

*SUBJECT TO CHANGE.*

---

<b>DISTRIBUTORS:</b>	<b>Western Australia</b>	<b>Eastern Australia</b>
	Air Group Australia	Fireplace Products Australia PTY. Ltd.
	28-30 Division St.	1-3 Conquest Way
	Welshpool, WA 6106	Hallam, VIC 3803
	08 9350 2200	03 9799 7277

**NOTE: PLEASE RETAIN YOUR INVOICE AS PROOF OF PURCHASE FOR WARRANTY VERIFICATION**

**INCORRECT INSTALLATION OR GAS PRESSURE SETTINGS ARE NOT COVERED BY WARRANTY**

**A SERVICE OR CALLOUT FEE WILL BE CHARGED IN THESE CIRCUMSTANCES.**

# Register your Regency® warranty online

## [www.regency-fire.com.au](http://www.regency-fire.com.au)



### Reasons to register your product online today!

- View and modify a list of all your registered products.
- Request automatic email notification of new product updates.
- Stay informed about the current promotions, events, and special offers on related products.
- Help assure you get the most out of your warranty.
- Eliminate confusion and frustration if warranty\*\* service is required in the future.

\*\* Proof of purchase required at time of warranty request.

**Installer: Please complete the following information**

**Dealer Name & Address:** \_\_\_\_\_

**Installer:** \_\_\_\_\_

**Phone #:** \_\_\_\_\_

**Date Installed:** \_\_\_\_\_

**Serial No.:** \_\_\_\_\_

